

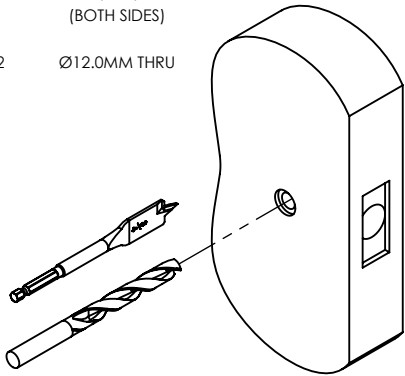
# FLAT ROUND ROSE - PASSAGE PAIR - SPRUNG

FAILURE TO FOLLOW INSTRUCTIONS CAN RESULT  
IN ROSE NOT FLUSH TO DOOR AND POOR RETURN OF LEVER



(A)

- 1 C'BORE Ø19.0MM (3/4")  
3.0MM (1/8") DEPTH  
(BOTH SIDES)
- 2 Ø12.0MM THRU

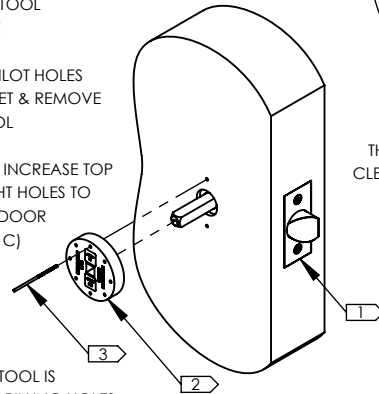


(B) L/H LEVER

- 1 INSTALL LATCH INTO DOOR AND  
INSERT SPINDLE (SEE DETAIL A)
- 2 PLACE CENTERING TOOL  
OVER SPINDLE
- 3 DRILL 2X Ø2MM (1/16") PILOT HOLES  
THROUGH TO LATCH POCKET & REMOVE  
CENTERING TOOL
- 4 DEPENDING ON LATCH TYPE, INCREASE TOP  
& BOTTOM OR LEFT & RIGHT HOLES TO  
Ø6.0MM THROUGH DOOR  
(SEE DETAIL B OR C)

\*ENSURE CENTERING TOOL IS  
FLAT AGAINST DOOR WHEN DRILLING HOLES

\*CENTERING TOOL FEATURES SECOND SET OF HOLES  
OFFSET, IF REQUIRED DURING INSTALLATION



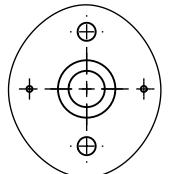
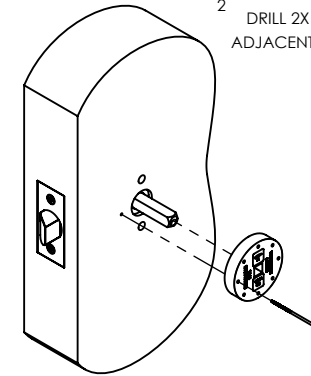
DETAIL B  
THROUGH BOLT  
CLEARANCE HOLES

DETAIL C  
THROUGH BOLT  
CLEARANCE HOLES

DETAIL A  
ORIENTATE SPINDLE PIERCING  
HOLE TOWARDS BOTTOM

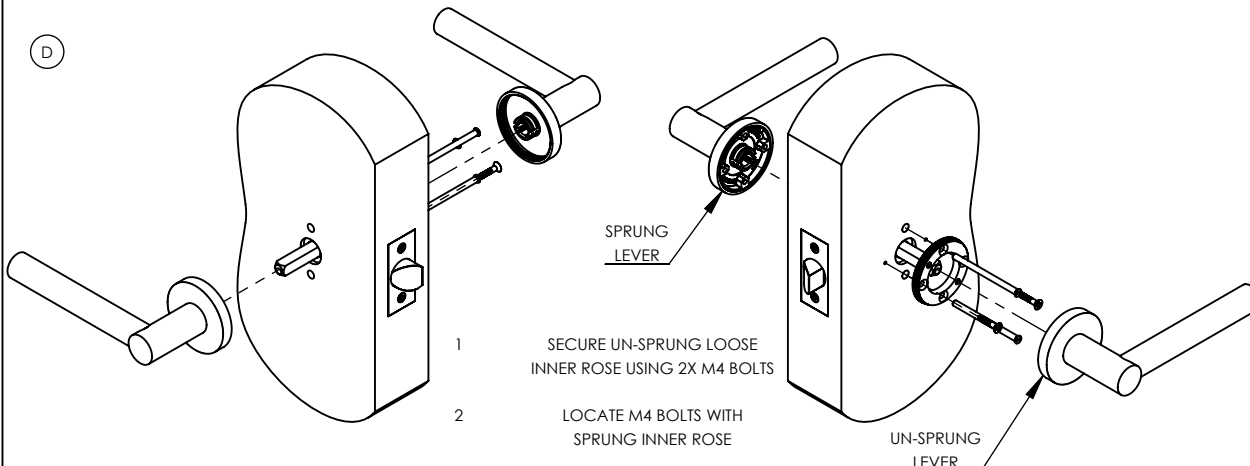
(C) R/H LEVER

- 1 PLACE CENTERING TOOL  
OVER SPINDLE
- 2 DRILL 2X Ø2MM (1/16") PILOT HOLES  
ADJACENT TO Ø6MM HOLES, THROUGH  
TO LATCH POCKET  
(SEE DETAIL C)



DETAIL C  
WOOD SCREW  
PILOT HOLES

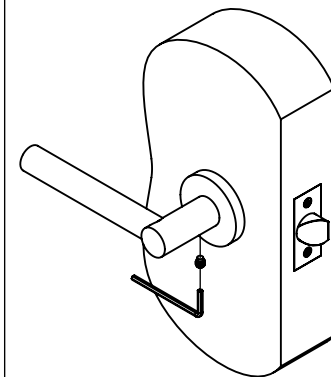
(D)



- 1 SECURE UN-SPRUNG LOOSE  
INNER ROSE USING 2X M4 BOLTS
- 2 LOCATE M4 BOLTS WITH  
SPRUNG INNER ROSE
- 3 USE 2X WOOD SCREWS TO  
SECURE UN-SPRUNG INNER ROSE
- 4 ALIGN OUTER AND INNER ROSE, TURN OUTER  
ROSE CLOCKWISE UNTIL THE ROSE IS SEATED  
FIRMLY ON THE DOOR FACE

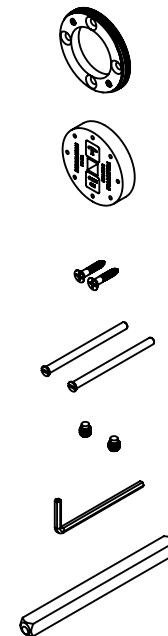
\*DO NOT FORCE INNER AND OUTER ROSE  
TOGETHER, THIS WILL DAMAGE THE INNER  
ROSE

(E)



TIGHTEN GRUB SCREW TO  
SECURE LEVER TO SPINDLE  
(BOTH SIDES)

## FIXING KIT



THREADED INNER ROSE  
(X1)

CENTERING TOOL  
(X1)

FIXING SCREWS  
(X2)

THROUGH BOLTS  
(X2)

PIERCING SCREWS  
(X2)

ALLEN KEY  
(X1)

SPINDLE  
(X1)

15/04/2026

## TURNSTYLE DESIGNS – CARE OF MATERIALS AND FINISHES



### BRASS – PLATED FINISHES

*Bright Chrome (BC) - INT/EXT / Matt Black Chrome (CB) - INT/EXT / Polished Nickel (PN) - INT / Satin Nickel (SN) - INT*

Wipe clean with a soft, damp cloth and dry with a clean, soft cloth.

### BRASS – LIVING FINISHES

*Burnished Brass (BH) - INT/EXT / Burnished Nickel (NH) - INT / Fine Antique Brass (FA) - INT/EXT / Polished Brass (PU) - INT/EXT / Satin Brass (TW) - INT*

*Vintage Nickel (VN) - INT / Vintage Patina (VP) - INT/EXT*

Living finishes will develop their own individual patina over time as they react with their environment. Once installed a number of factors such as handling, age and environment will lead to gradual wear and oxidation, resulting in each piece developing a unique character and elegance. This is a natural process and is a feature, not a fault, of the base material or finishing technique.

Living finishes are supplied with a protective wax coating to protect the product during transit and installation. These finishes should be cleaned with a soft, lint free cloth, a good quality wax can be reapplied if desired. Polished Brass (PU) can be cleaned with a brass metal polish should you wish to maintain its shiny appearance.

### LEATHER

*Black (BL) - INT / Bridle White (BW) - INT / Chestnut (CN) - INT / Chocolate (CT) - INT / Slate Grey (GC) - INT / Tan (TA) - INT*

Leather is a natural material that will age over time and with use, developing a unique patina; this is part of its character and should be expected. Wipe leather surfaces clean with a soft, damp cloth using heavily diluted soapy water (1 part soap to 12 parts water) then dry with a clean, soft cloth. Once dry, the leather can be fed with a quality beeswax or neutral leather cream.

Marks and dents within the leather can be 'worked out' using a boning tool. Work the marked area in a gentle circular motion to bring the fibres and natural oils back to the surface.

### AMALFINE™

*Alupewt (AP) - INT / Black Bronze (BB) - INT / Bone (BN) - INT / Cocoa (CO) - INT / Sand (SA) - INT / Silver Bronze (SB) - INT*

Wipe clean with a soft, damp cloth or soft brush using heavily diluted warm soapy water then dry with a clean, soft cloth. Once dry the Amalfine™ can be finished with a good quality beeswax.

Do not attempt to clean any finishes with abrasive or solvent based solutions.

INT – Suitable for Interior Applications  
EXT - Suitable for Exterior Applications