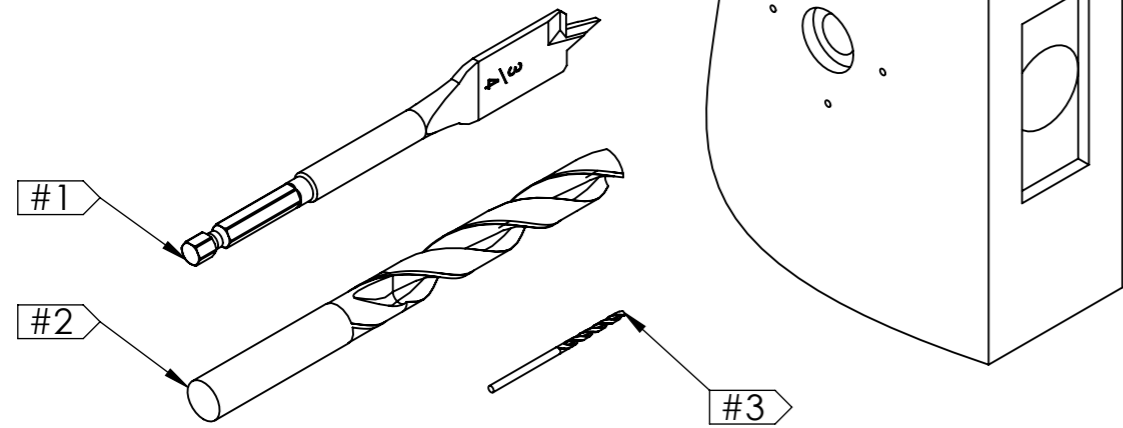


IMDK-006 - SATURN & BANDED EGG DOOR KNOB - FITTING INSTRUCTIONS



TUBULAR LATCH

- A**
1. C'BORE Ø19.0MM (3/4")
4.0MM DEPTH
 2. Ø12.0MM (1/2") DRILL
THROUGH
 3. DRILL 4X Ø1.5MM (1/16") AS
SHOWN IN FIG A



NOTE
ROSE FIXINGS ARE OFFSET AT 12°
DRILL PILOT HOLES AT SPECIFIED ANGLE PRIOR TO FITTING
DO NOT DRILL HOLES SQUARE TO DOOR FACE

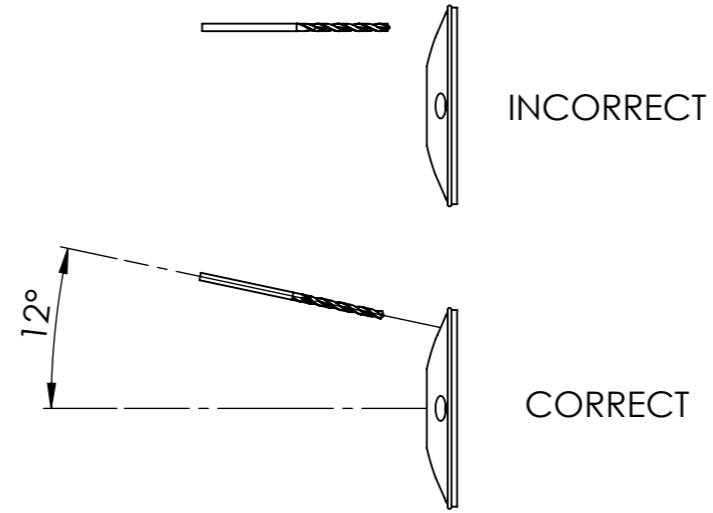
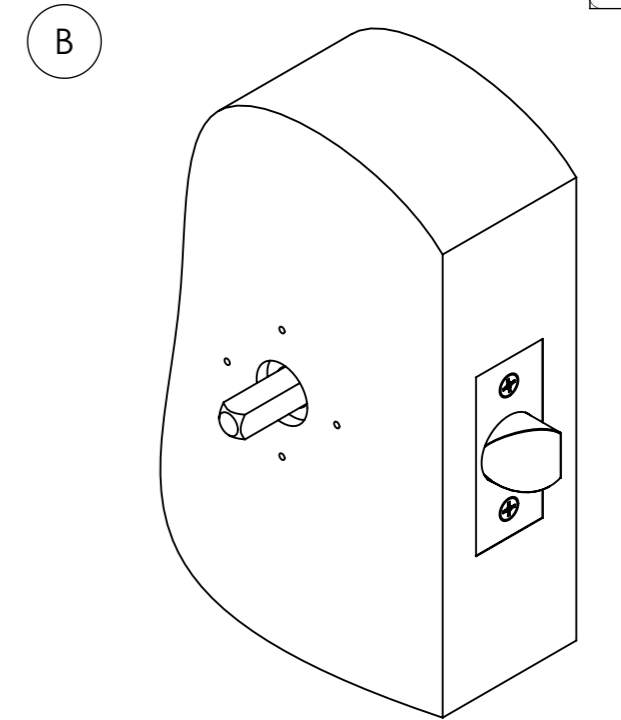


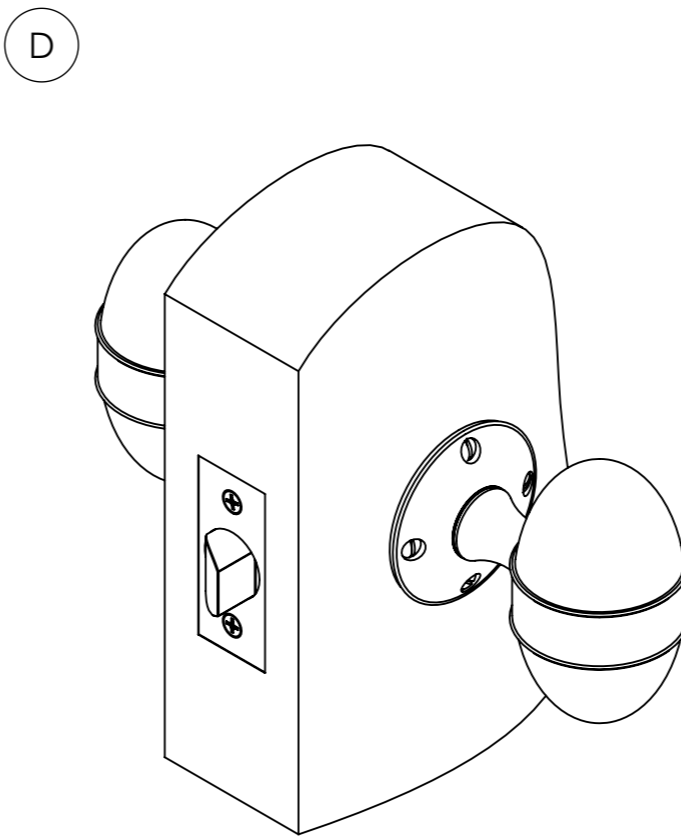
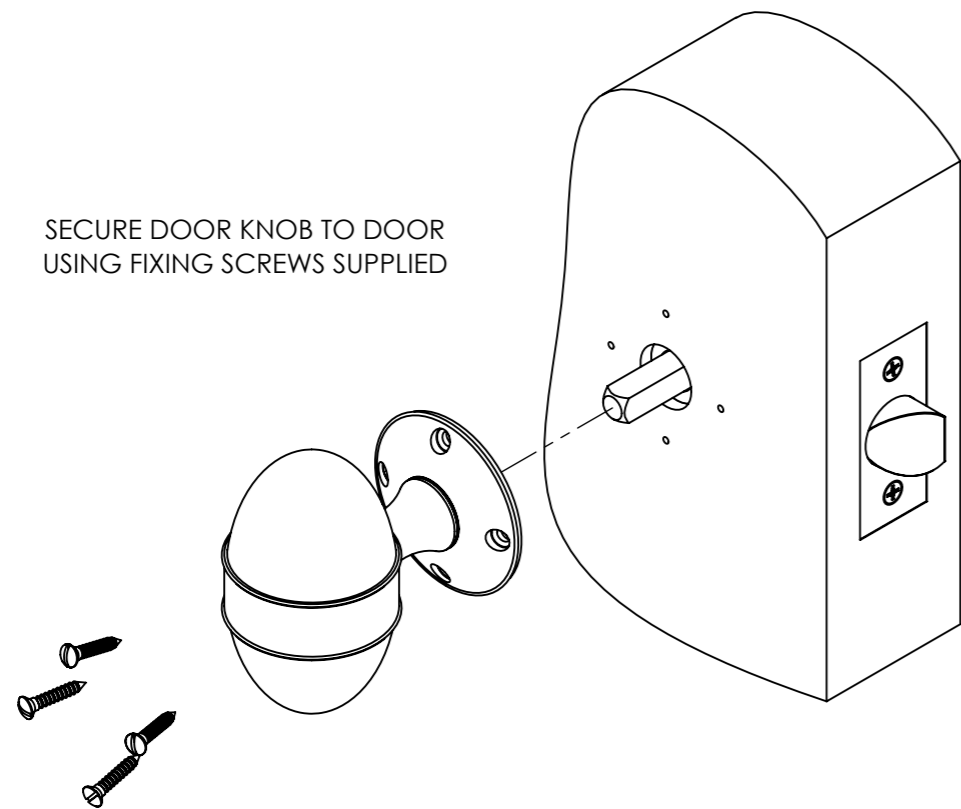
FIG. A



INSTALL LATCH INTO DOOR AND
INSERT SPINDLE

C

SECURE DOOR KNOB TO DOOR
USING FIXING SCREWS SUPPLIED



REPEAT PROCESS FOR OTHER SIDE
OF DOOR

FIXING KIT

