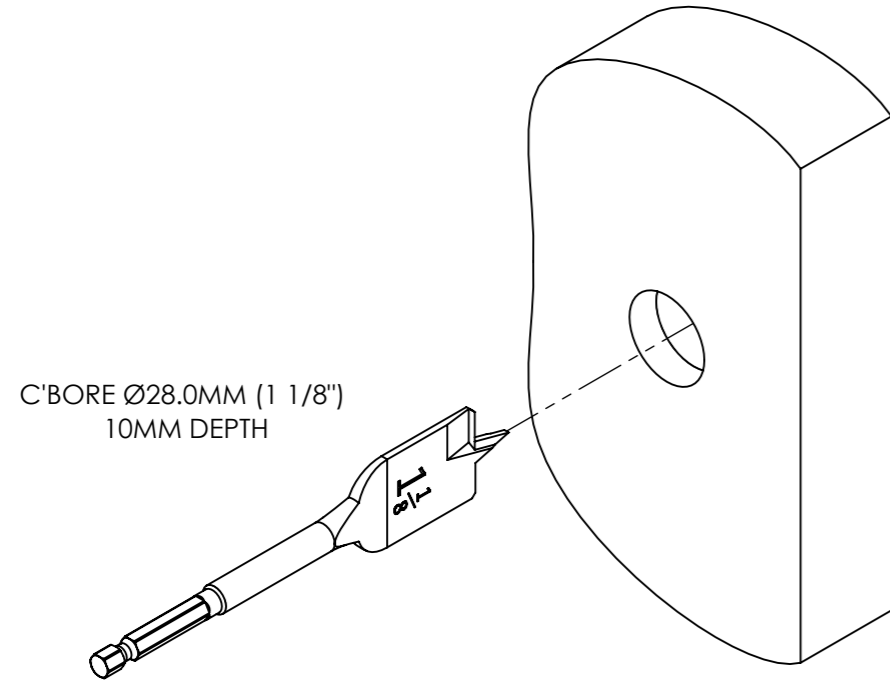


IMDK-002 - STACKED & LAYERED DOOR KNOB - FITTING INSTRUCTIONS



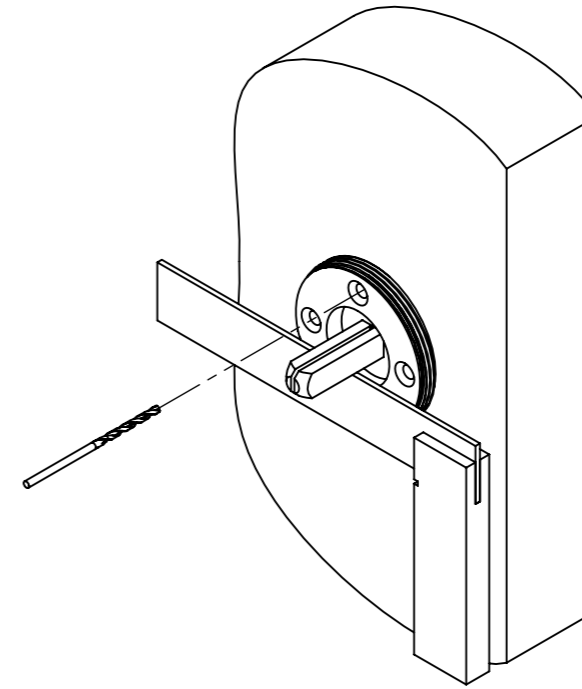
FIXED DEAD - SINGLE

A

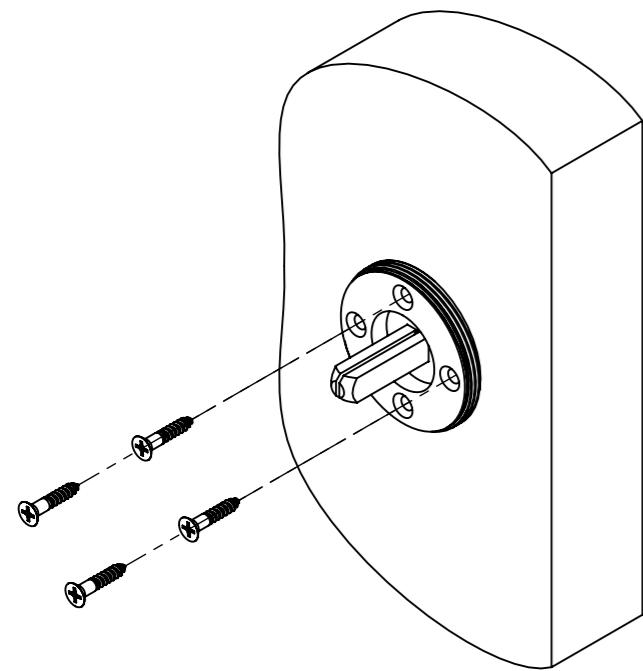


B

1. INSERT THREADED INNER DUMMY SPINDLE
2. INSERT SPINDLE
3. USE SQUARE TO ENSURE SPINDLE IS PARRELL WITH EDGE OF DOOR
4. DRILL 4X Ø1.5MM (1/16") PILOT HOLES



C

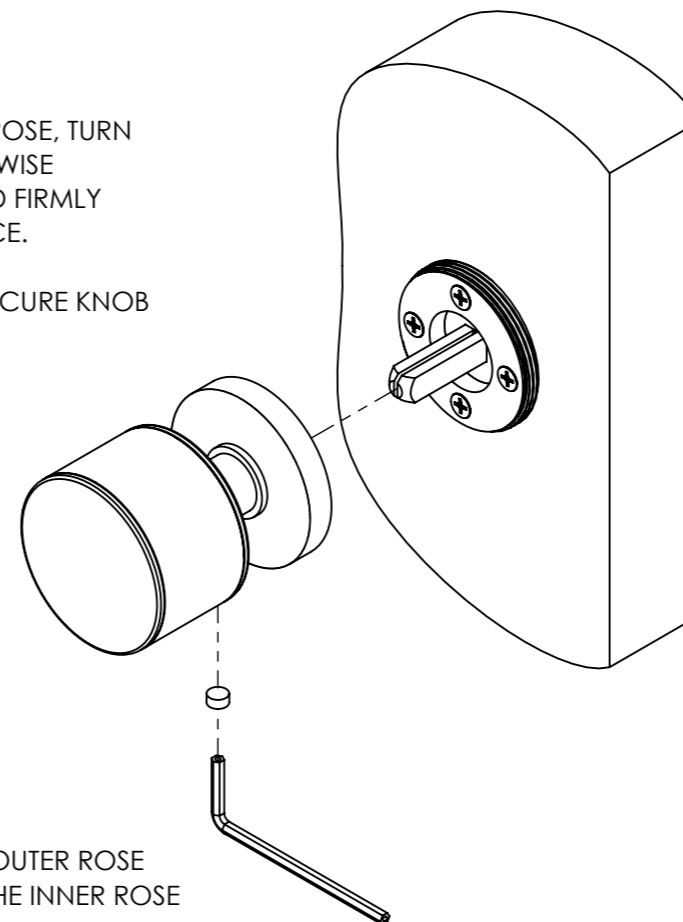


SECURE THREADED INNER DUMMY SPINDLE USING WOOD SCREWS SUPPLIED

D

ALIGN OUTER AND INNER ROSE, TURN OUTER ROSE CLOCKWISE UNTIL THE ROSE IS SEATED FIRMLY ON THE DOOR FACE.

TIGHTEN GRUB SCREW TO SECURE KNOB TO SPINDLE



*DO NOT FORCE INNER AND OUTER ROSE TOGETHER, THIS WILL DAMAGE THE INNER ROSE

FIXING KIT

