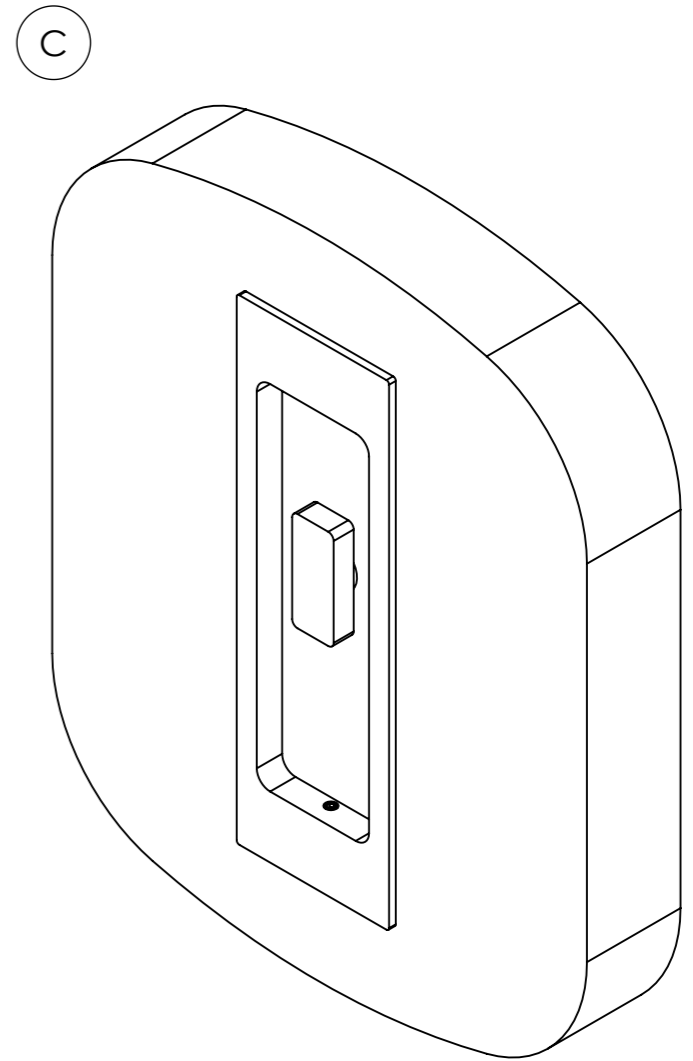
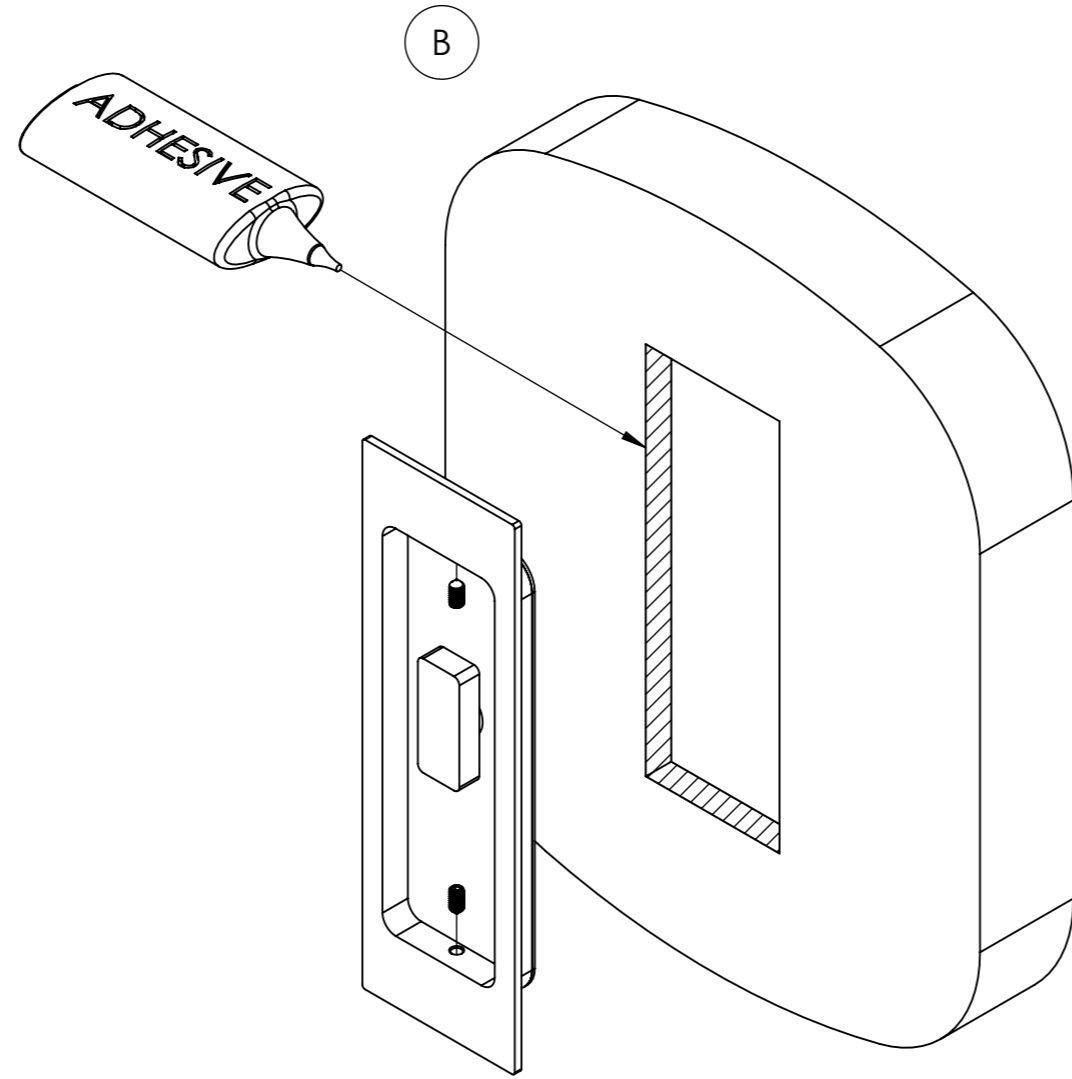
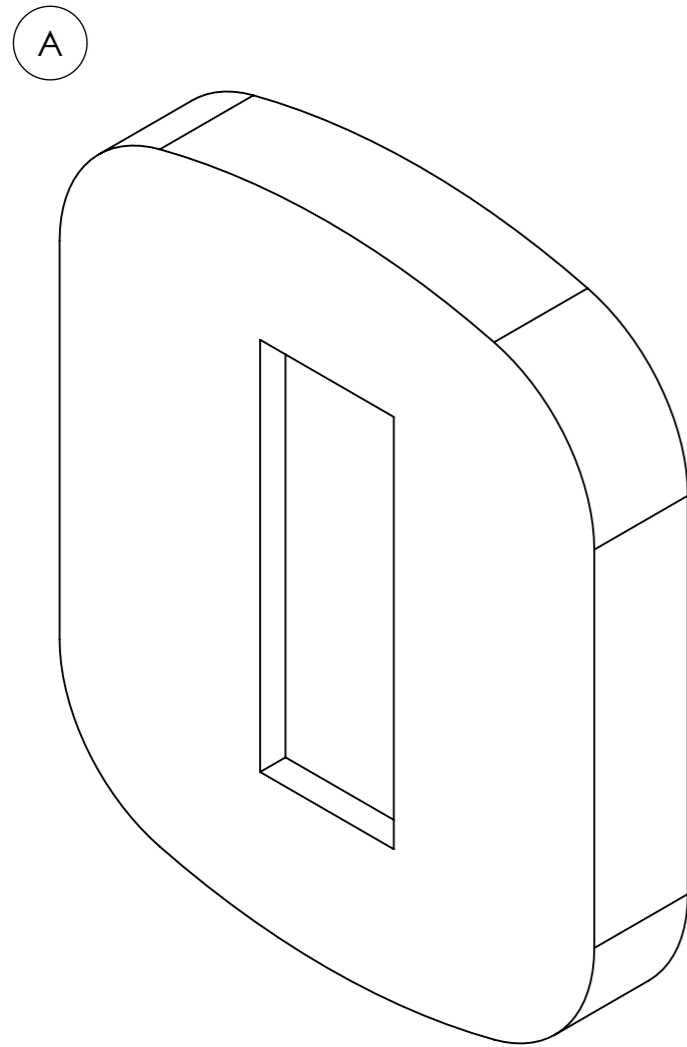


IFP-0001-A

RECTANGLE FLUSH PULL - S1955/R1955 - FITTING INSTRUCTION



REBATE - 140MM (5-1/2") X 50MM (2")  
9.5MM (3/8") DEEP

USE FITTING TEMPLATE TFP-001A