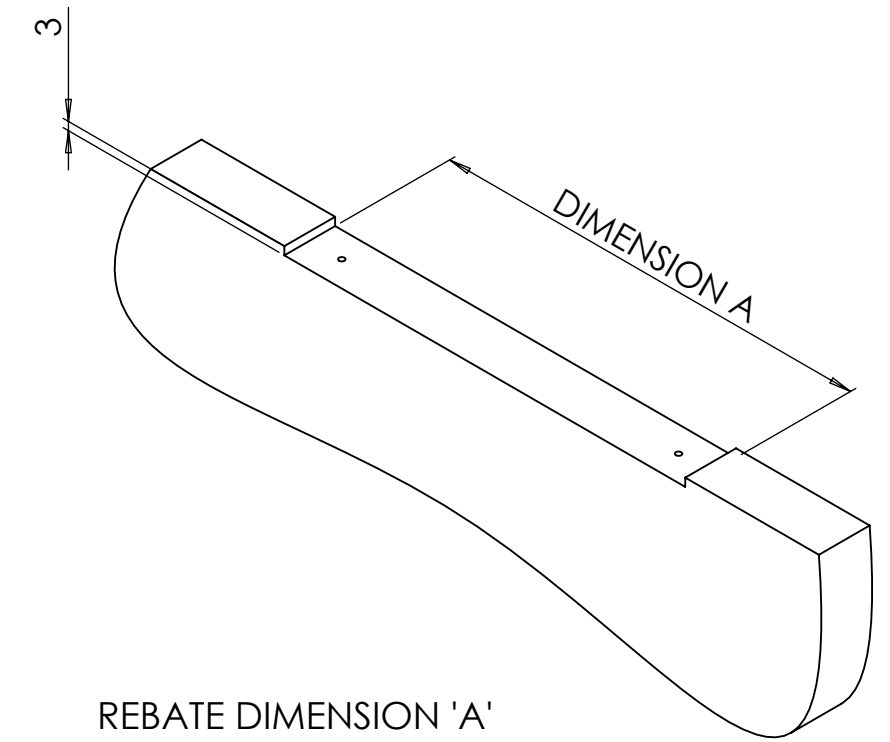
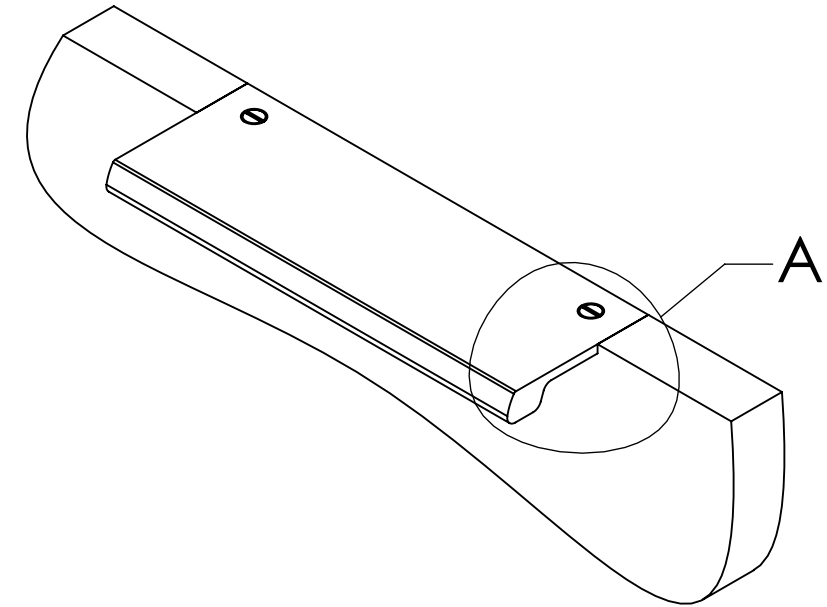
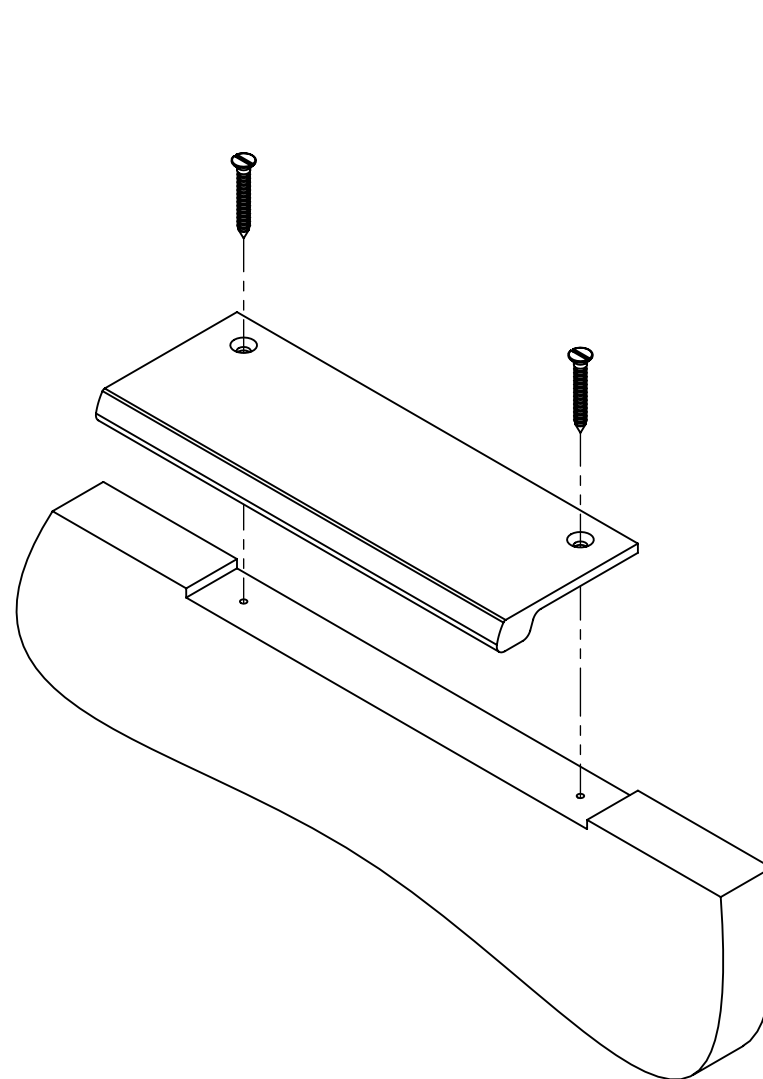


IEP-0001

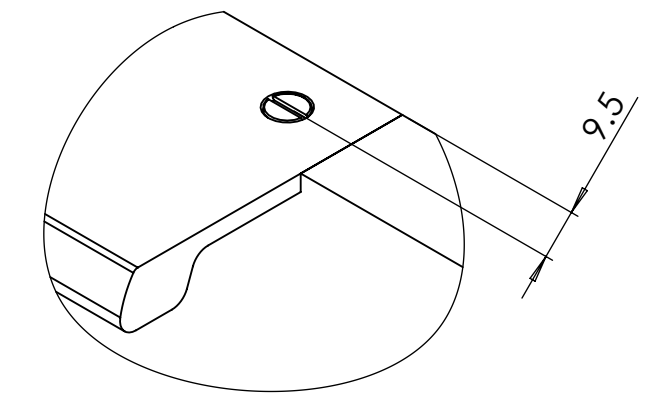
FITTING INSTRUCTION - SONAR - S1102



PULL LENGTH	DIMENSION 'A'	FIXINGS
50	50	2
100	100	2
150	150	2
200	200	3
300	300	3
500	500	4



REBATE DIMENSION 'A'
3MM DEEP



DETAIL A

FIXING HOLE CENTER - 9.5MM
FROM REAR EDGE OF PULL