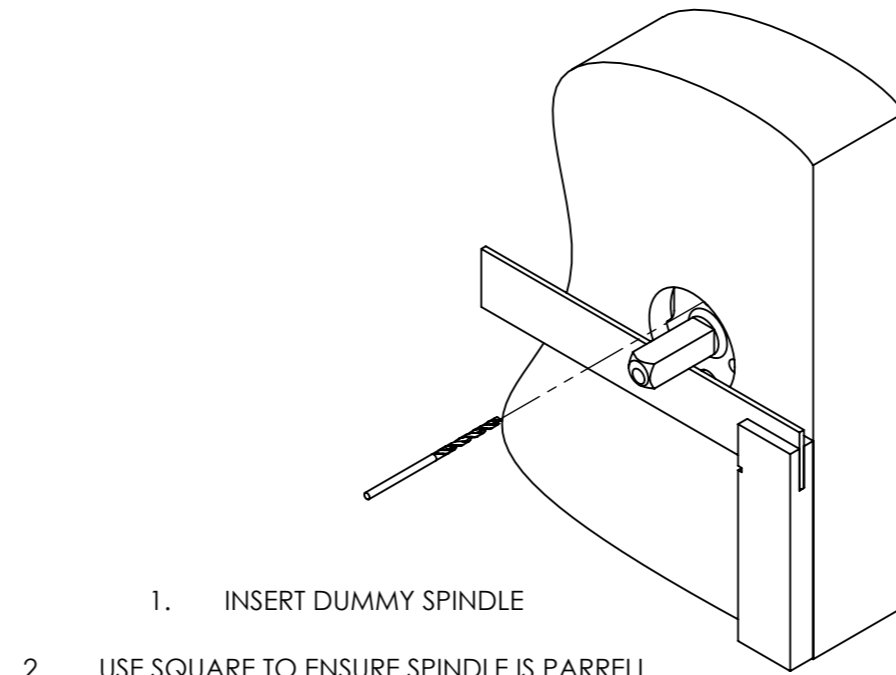
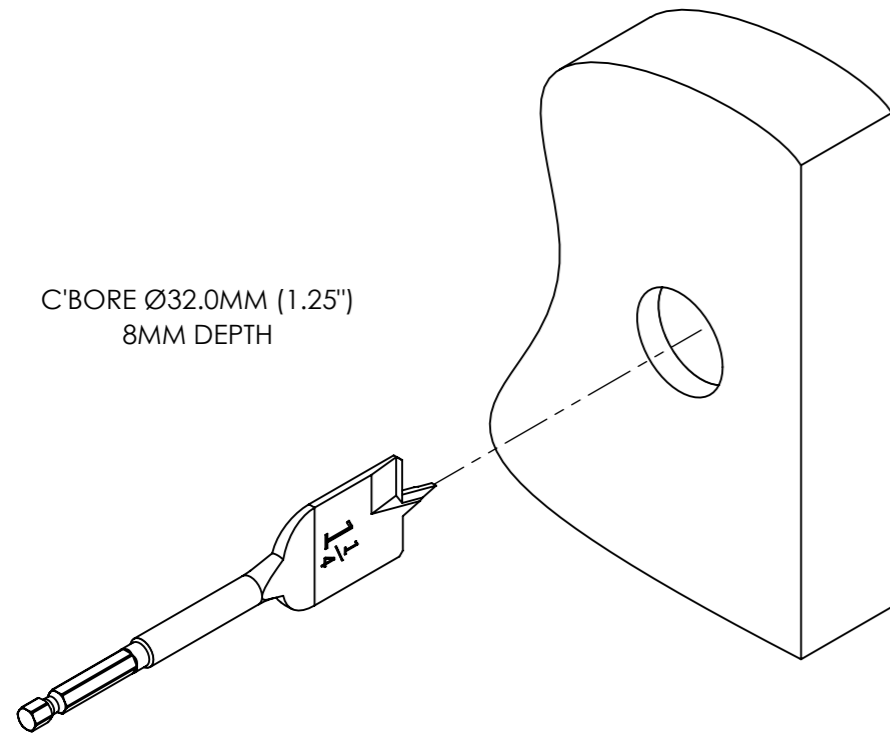


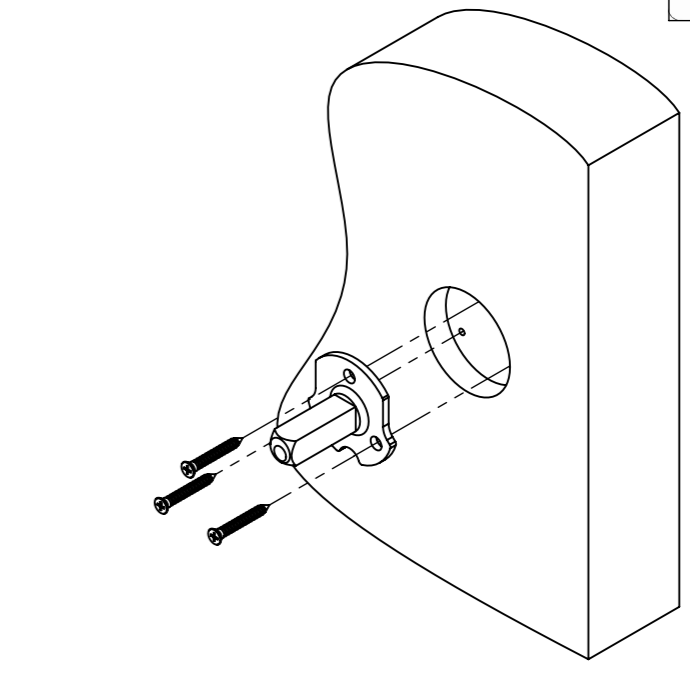
# IDL017B - DOOR LEVER - EUROPEAN ROSE - FITTING INSTRUCTIONS



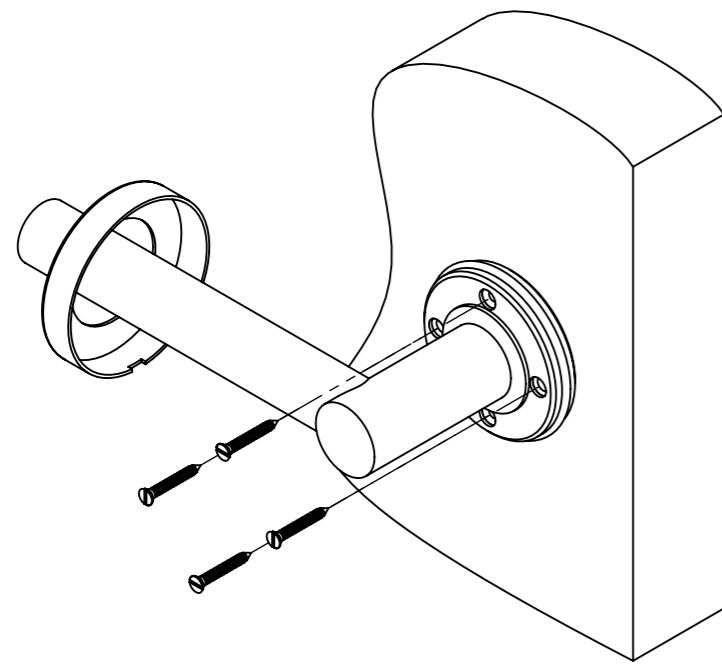
## FIXED DEAD - SINGLE



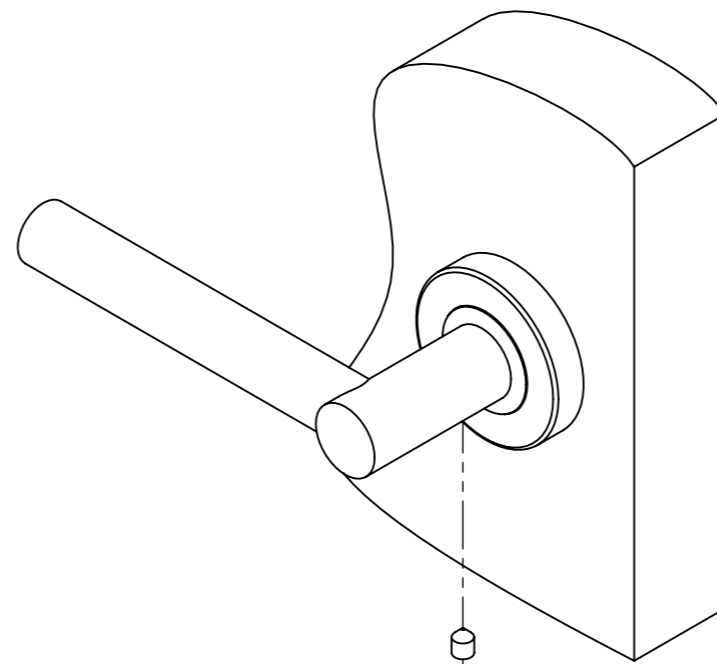
1. INSERT DUMMY SPINDLE
2. USE SQUARE TO ENSURE SPINDLE IS PARRELL WITH EDGE OF DOOR
3. DRILL 3X Ø2.0MM (5/64") PILOT HOLES



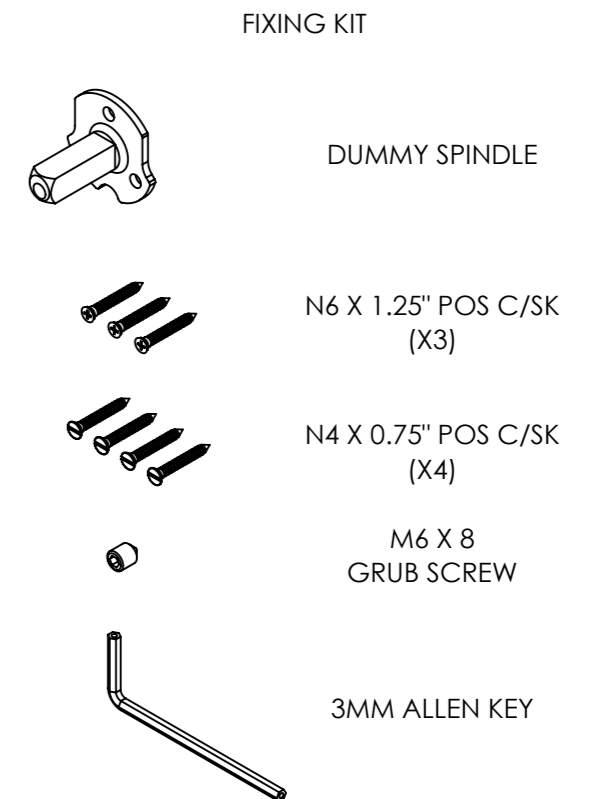
SECURE DUMMY SPINDLE USING WOOD SCREWS SUPPLIED



SECURE LEVER USING WOOD SCREWS SUPPLIED  
PRESS OUTER ROSE ONTO INNER ROSE



TIGHTEN GRUB SCREW TO SECURE LEVER TO SPINDLE



### FIXING KIT

DUMMY SPINDLE

N6 X 1.25" POS C/SK (X3)

N4 X 0.75" POS C/SK (X4)

M6 X 8 GRUB SCREW

3MM ALLEN KEY