

# CONCEALED BEARING HINGES

## Product Information Sheet

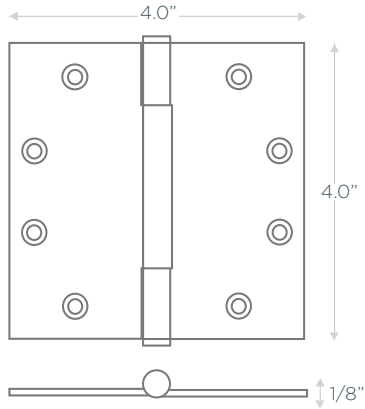


TURNSTYLE  
DESIGNS

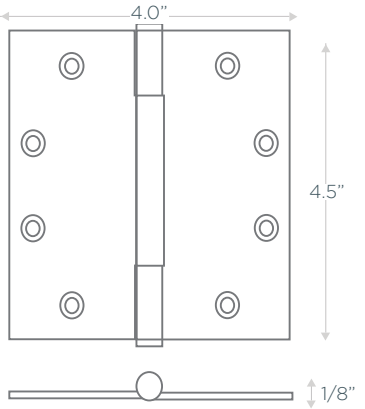
MADE IN ENGLAND

A MEMBER OF  
**A©ID**  
ANTI-COPYING IN DESIGN

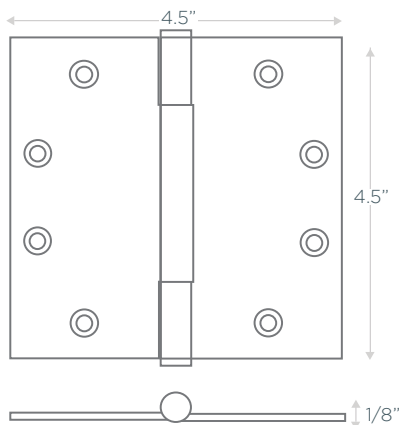
### X5050 - Concealed Bearing Hinge 4" X 4"



### X6050 - Concealed Bearing Hinge 4" X 4.5"



### X6000- Concealed Bearing Hinge 4.5" X 4.5"



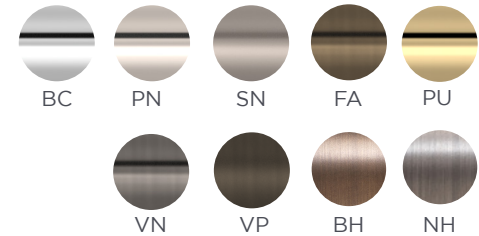
The Concealed Bearing Hinge is offered exclusively in North America through Turnstyle Designs and is available in all Turnstyle Designs unique finishes.

Concealed brass bearing hinges are manufactured from extruded sections to precise standards and accurately machined to achieve close tolerances. Due to the high copper content of brass this naturally offers anti-bacterial qualities. Concealed bearing brass hinges use a special bearing technology for demanding applications and are capable of carrying door weights up to 352lbs, independently fire tested and CE marked these hinges are suitable for use on both 30 and 60 minute fire resistant door sets. Brass hinges can be plated or polished in a multitude of decorative finishes to match many different requirements and can be combined with finial tips to create the perfect aesthetics for any environment.

Generally three hinges should be fitted to each door. For any door exceeding 2134mm (83") in height a fourth hinge should be fitted.

- Solid brass high performance Concealed Bearing Hinges
- Weight carrying capacity to 352lbs (based on 3 hinges per leaf)
- Suitable for heavy weight flush doors
- Maintenance free, 25 year performance guarantee
- Supplied with 30mm (1 3/16") slotted screws

#### METAL FINISHES



Contact the Turnstyle Sales Team to discuss special order finishes (Please note: BH and NH finishes are colour only and not hammered)

#### CROSS SECTION

