

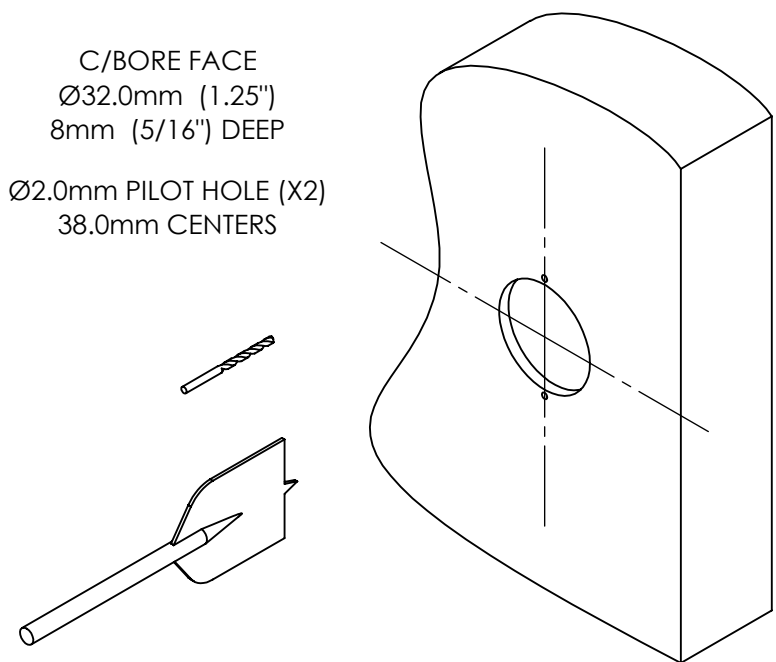
IRO-001 - CLASSIC ROSE - FITTING INSTRUCTIONS



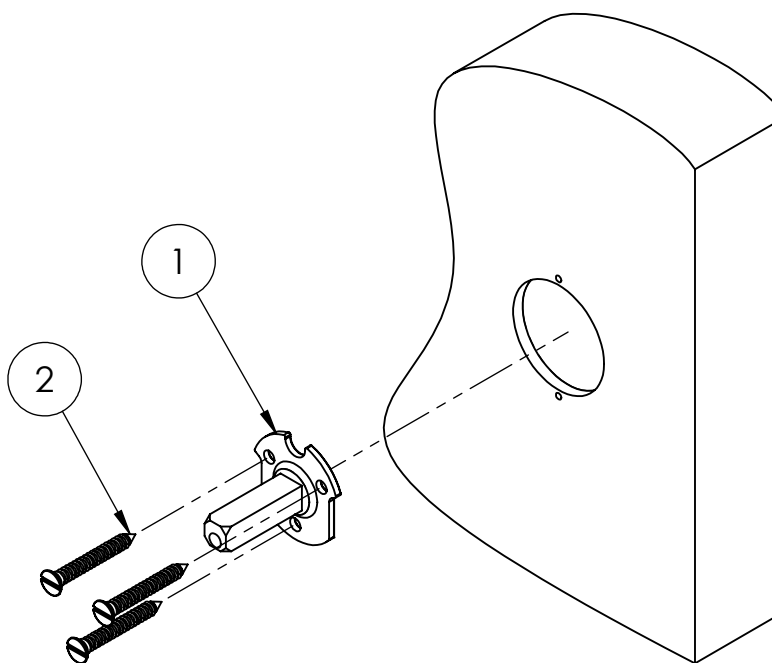
FIXED DEAD - SINGLE PAIR

A

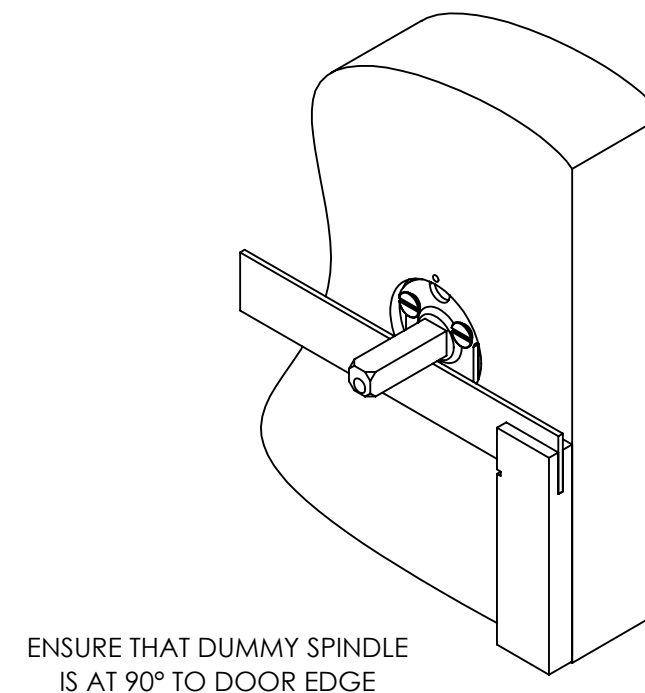
C/BORE FACE
 Ø32.0mm (1.25")
 8mm (5/16") DEEP
 Ø2.0mm PILOT HOLE (X2)
 38.0mm CENTERS



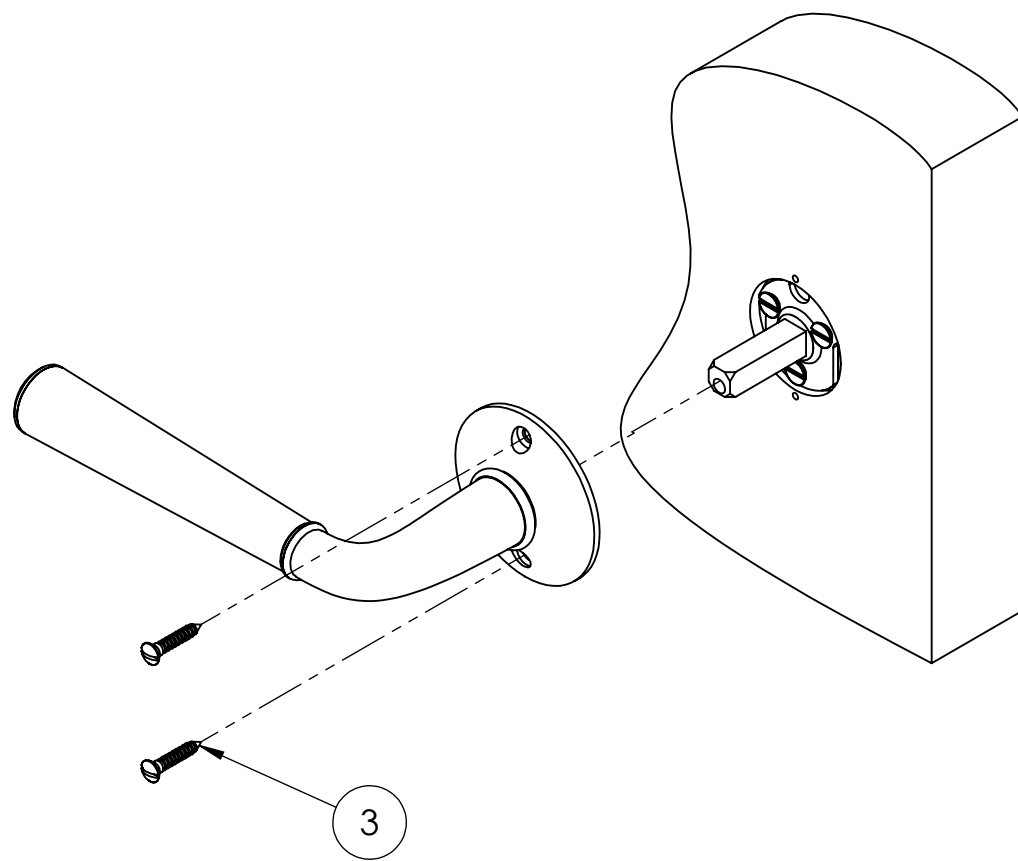
B



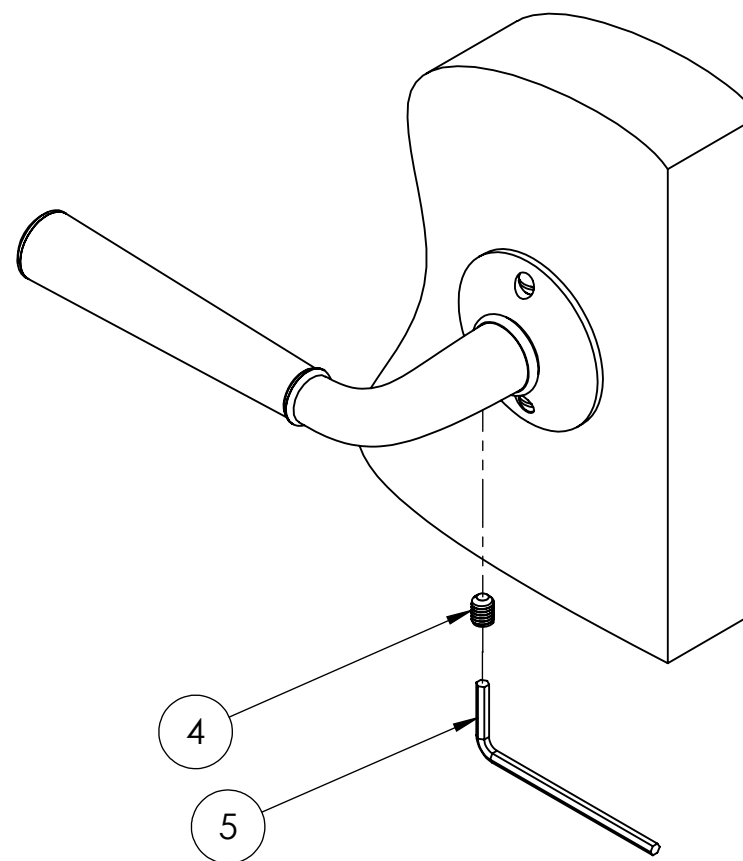
C



D



E



FIXING KIT -

- 1. DUMMY SPINDLE
- 2. No. 6 X 1.25" POZ C/SK SCREWS
- 3. No.6 X 3/4" SLT/OVAL SCREWS
- 4. M6 GRUB SCREW
- 5. HEX KEY

