

PRIVACY PAIR WITH ATZ TUBULAR LATCH-EUROPEAN ROSES



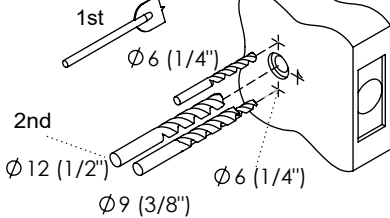
IDL009A

FITTING INSTRUCTION

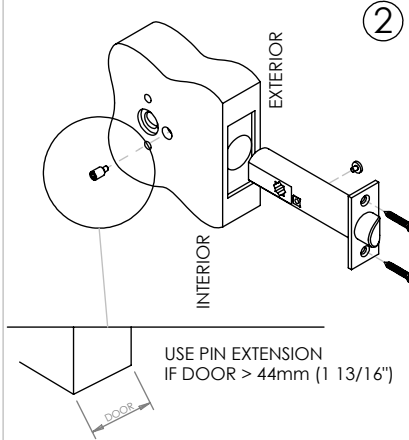
DOOR LEVER

Counter Bore
 Ø 19mm (3/4")
 3mm (1/8") Deep
 Both Sides

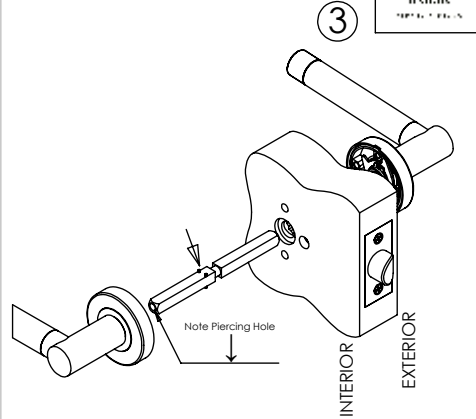
①



USE TEMPLATE TDL003A

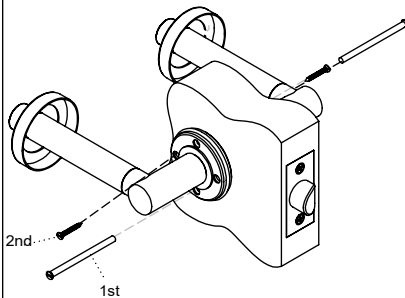


②

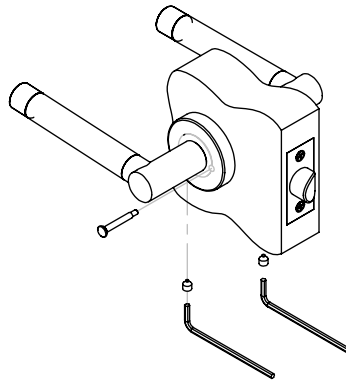


③


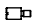
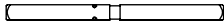
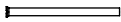


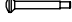

④



⑤



LATCH KIT For Max 45mm Door Thickness

- 2 x  N8 x 1"
- (1 x)  (PIN EXT.)
- 2 x  8 x 8 x 127
- 2 x  M4 x 60
- 2 x  N4 x 3/4"
- 2 x  M6 x 7
- 1 x  PIN
- 1 x  3mm
- 1 x TUBULAR LATCH