

# LAYER DOOR KNOBS

**The Layer door knob was designed by Wayne Dymond,  
Sales and Marketing Director at Turnstyle Designs.**

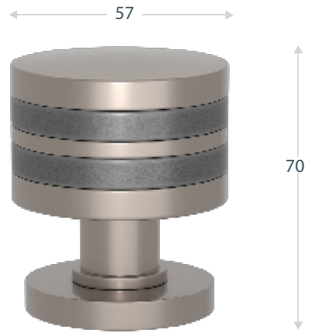
Turnstyle Designs is excited to announce the introduction of a new stunning door knob design. It has been several years since Turnstyle has had any door knobs in its range of architectural hardware. Responding to popular demand and the resurgence of door knobs, the company has come out with its unique take on this traditional product.

The Layer, designed by Wayne, is a striking, bold design that has layers of Amalfine™, sandwiched between thick discs of solid brass, producing a simple yet effective contemporary door knob. The design is available in over 42 different material and finish combinations, allowing for the perfect fit within any interiors project. The “Bite”, a contemporary thumb turn has also been designed to compliment the new range of door knobs.

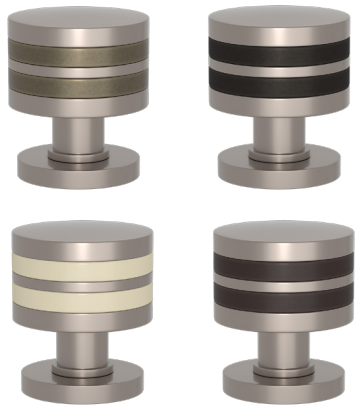


# AMALFINE

## LAYER - D7568



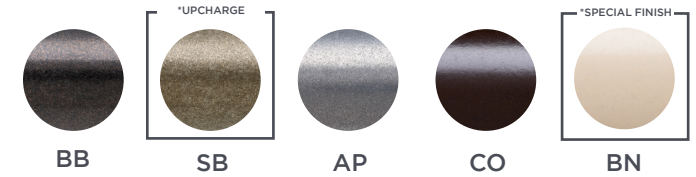
Projection: 70mm | 52mm Flat Rose



NAME	CODE	QTY
LAYER DOOR KNOB	P2244	PAIR
BITE ON 52MM FLAT ROSE	S8007	P/SET

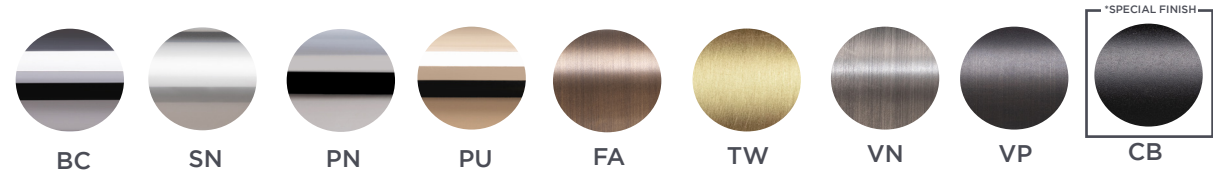
Contact Turnstyle Sales Department for "Latch and Mortise Lock Options"

### AMALFINE GRIP FINISHES



MOQ's Apply

### METAL FINISHES



### ACCESSORIES

#### BITE ON FLAT ROSE - S8007

