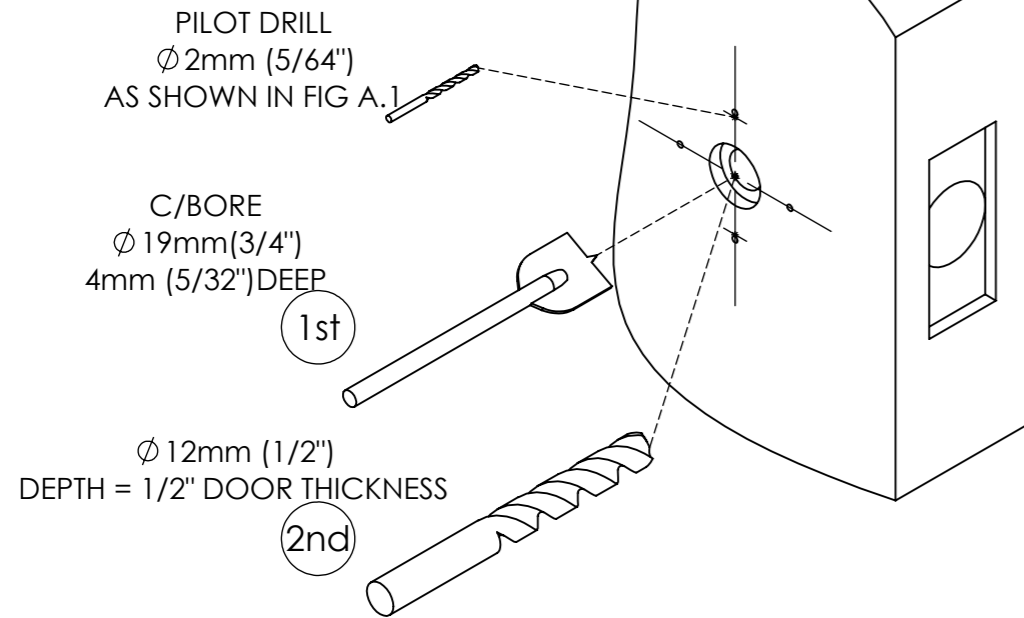


IMDK-006-DOOR KNOB-SATURN & BANDED EGG-FITTING INSTRUCTIONS

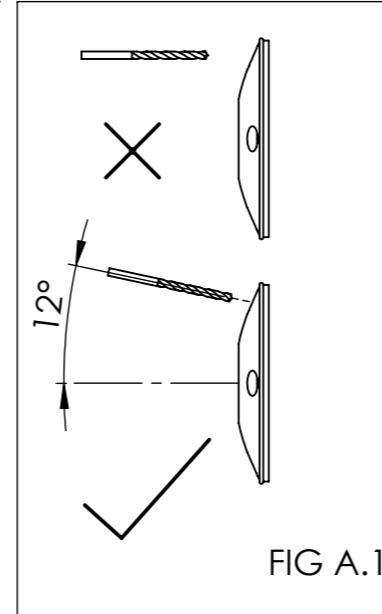


TUBULAR LATCH

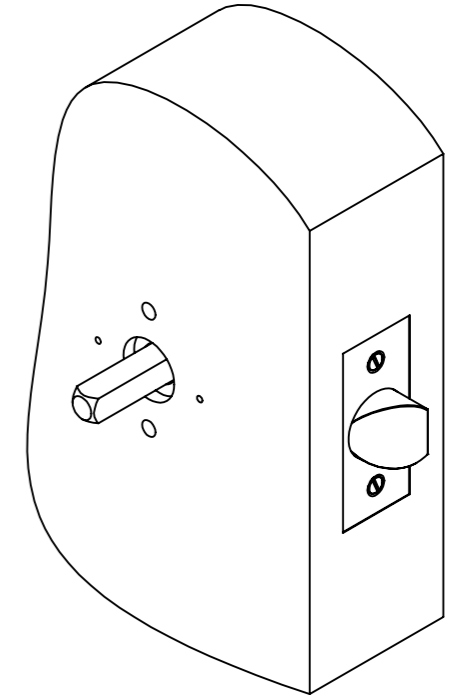
A



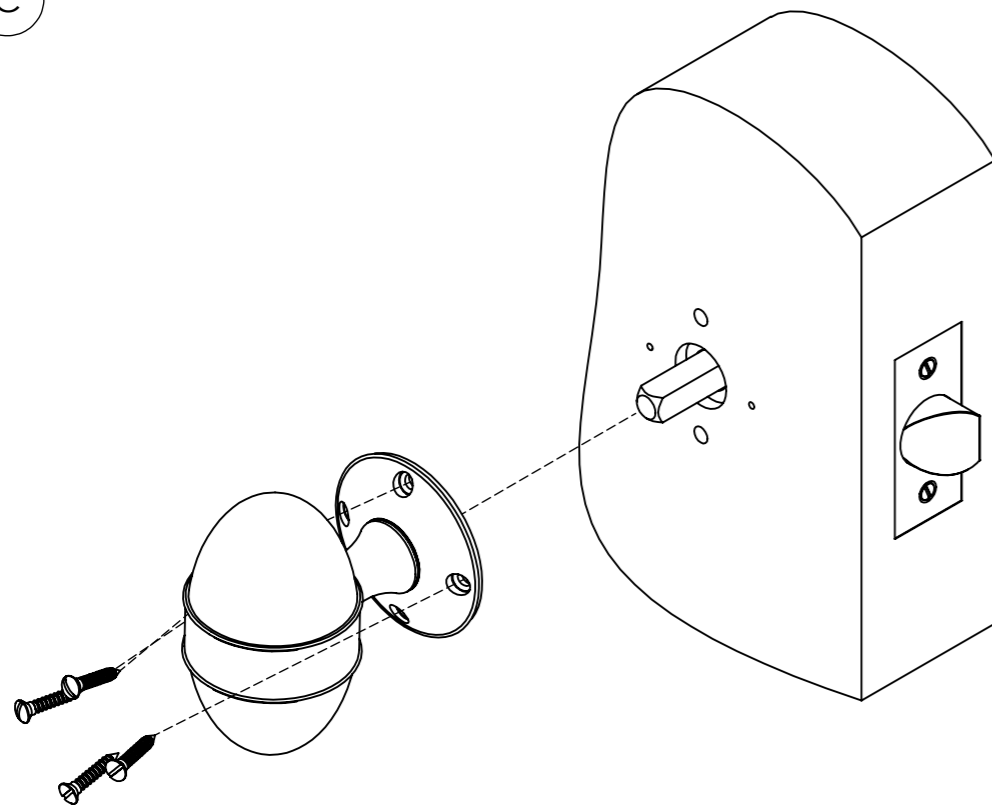
NOTE
ROSE FIXINGS ARE OFFSET AT 12°
DRILL PILOT HOLES AT SPECIFIC ANGLE PRIOR TO FITTING
DO NOT DRILL HOLES SQUARE TO DOOR FACE



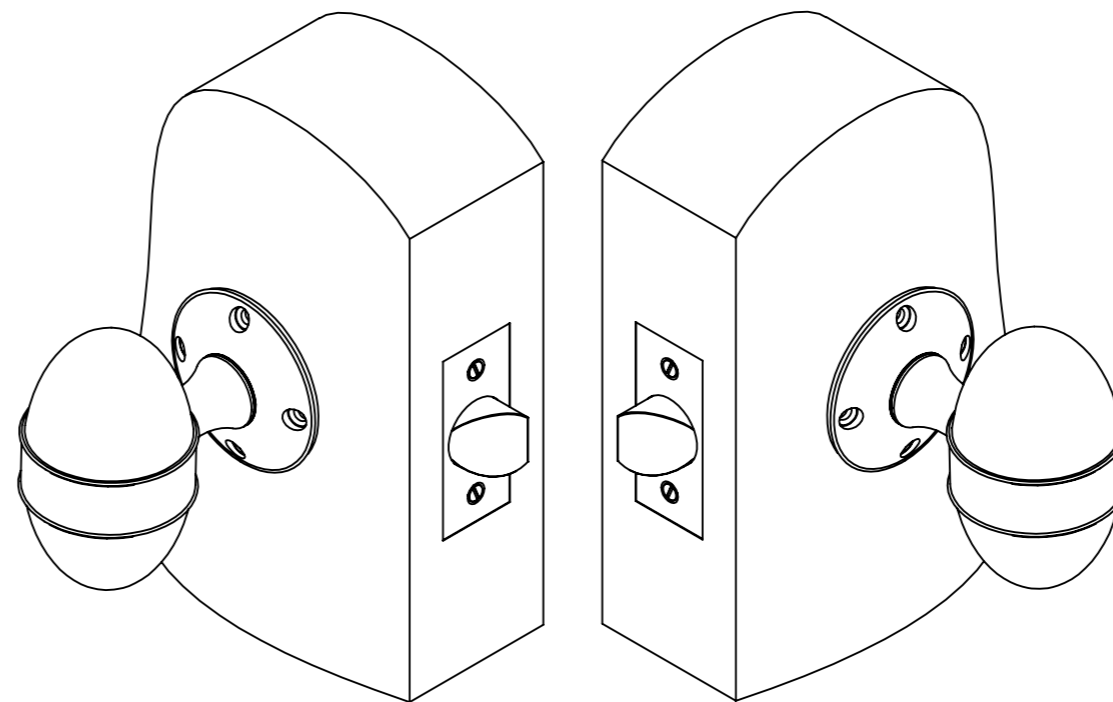
B



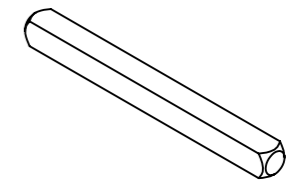
C



D



KIT



SPINDLE
(X1)



FIXING SCREWS
3/4" SLT/OVAL
(X8)