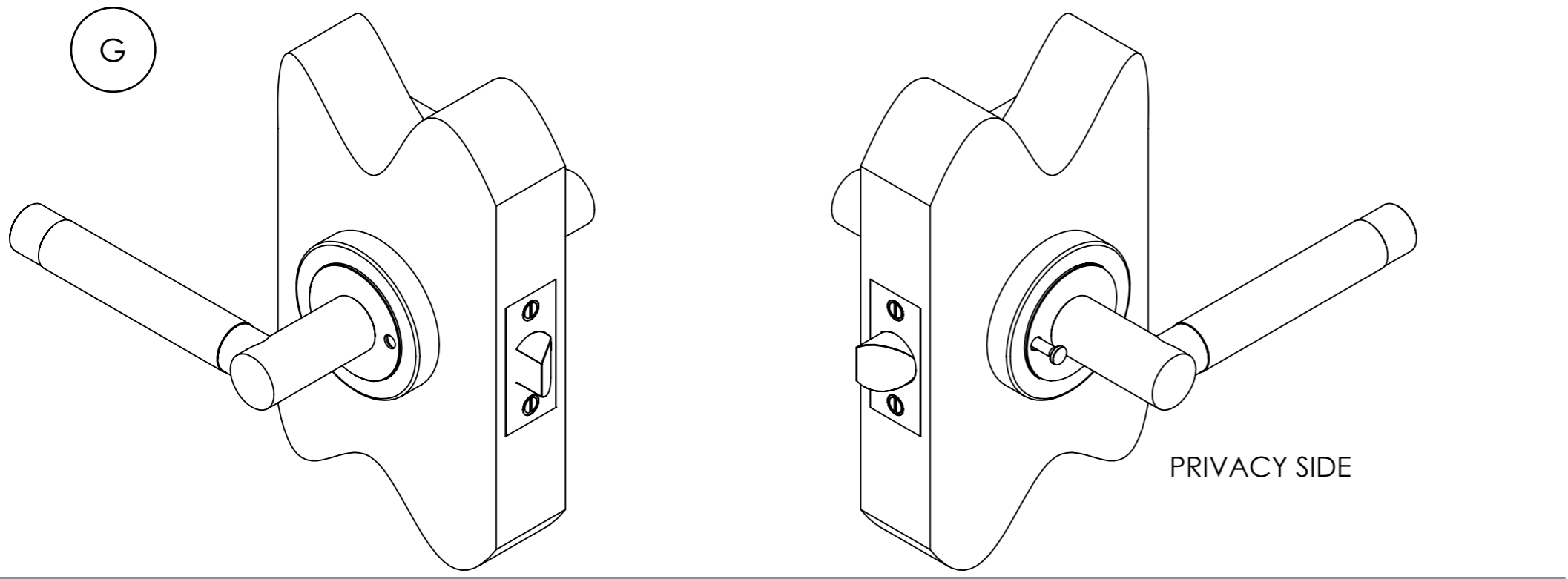


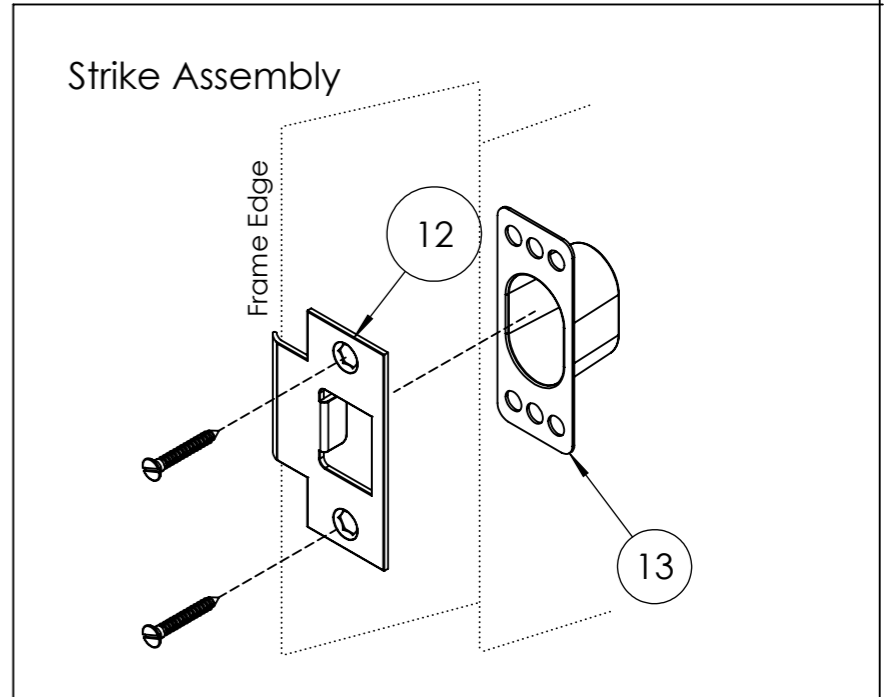
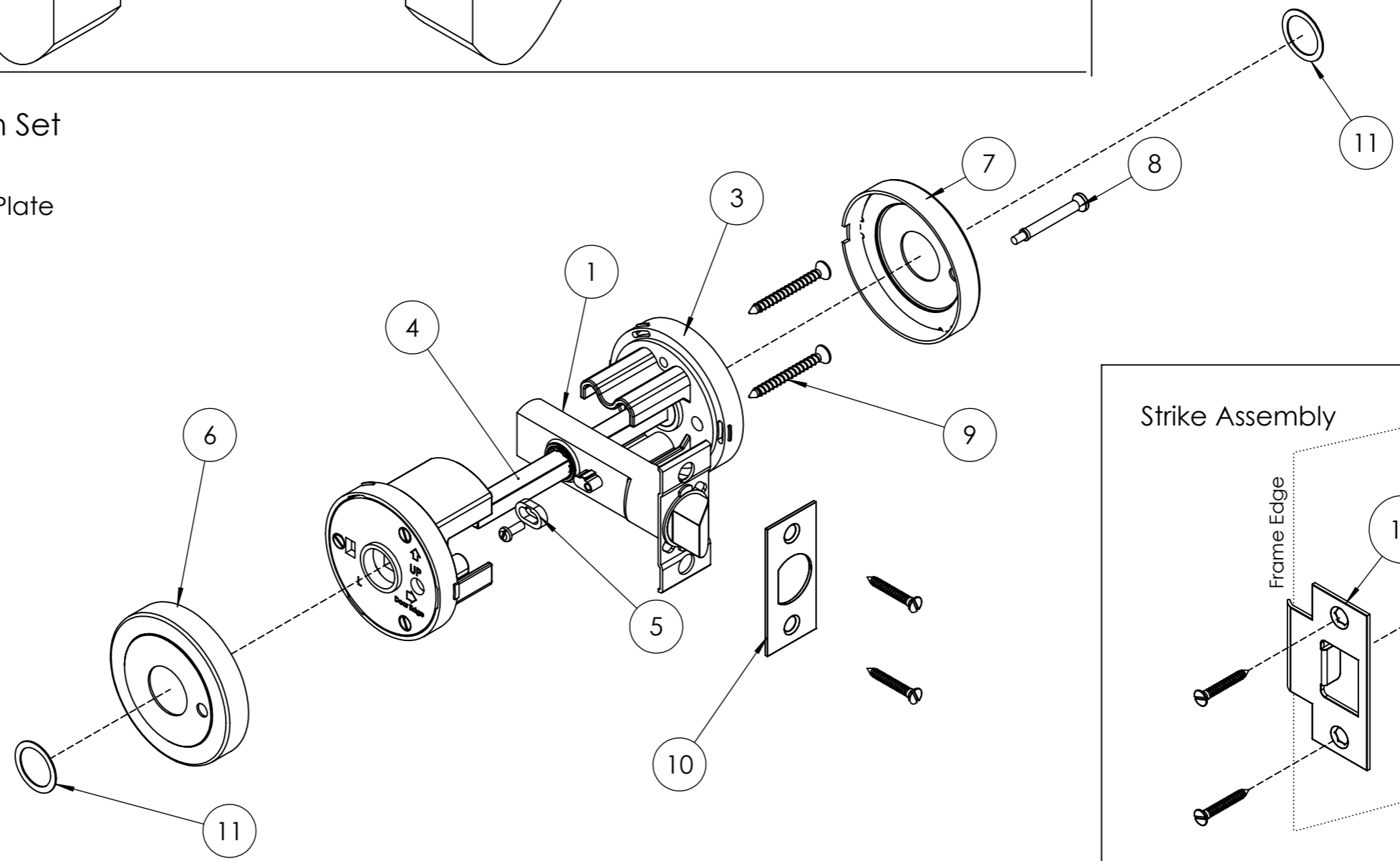
IPB-001-PRE-BORE DOOR-ROUND ROSE - PG1

PRIVACY LATCHSET INSTALLATION INSTRUCTIONS



Pre-Bore-RND-Privacy Latch Set

- 1. Privacy Latch with Mounting Plate
- 2. Pre-Bore Cartridge-Left
- 3. Pre-Bore Cartridge-Right
- 4. Split Spindle
- 5. Privacy Pin Stop & Fixing
- 6. Rose-RND
- 7. Rose-RND-Privacy
- 8. Privacy Pin
- 9. Pre-Bore Cartridge Fixings
- 10. Face Plate with Fixings
- 11. Spacers
- 12. Strike Plate with Fixings
- 13. Dust Box



IPB-001-PRE-BORE DOOR-ROUND ROSE - PG2

PRIVACY LATCHSET INSTALLATION INSTRUCTIONS



A

A1
Fit Latch in Accordance with Manufacturers Instructions written on Latch & Cartridge

B

B1
Fit Privacy Pin Stop prior to Assembling Latch into Door (Stop fitted opposite side to Privacy Pin)

B2
Ensure Latch Mounting Plate is Installed & Aligned as shown

C

C1
BEFORE mounting Cartridges, fit Split Spindle (#4) First

C2
Ensure the Split Spindle Hole is at the Base Both Ends

C3
Ensure Stop Pins On Spindle are on Privacy Pin Side As Shown

C4
Short Tab

D

E

E1
Ensure that Cutout in Rose is located with Alignment Tab on Cartridge, NOT with Shorter Tabs - PRIOR to assembly (Both Sides)

F

F1
Ensure Levers are Pushed in, Tight & Flush on Roses BEFORE Tightening Grub Screws

F2
Mount Levers so that Grub Screw is Downward