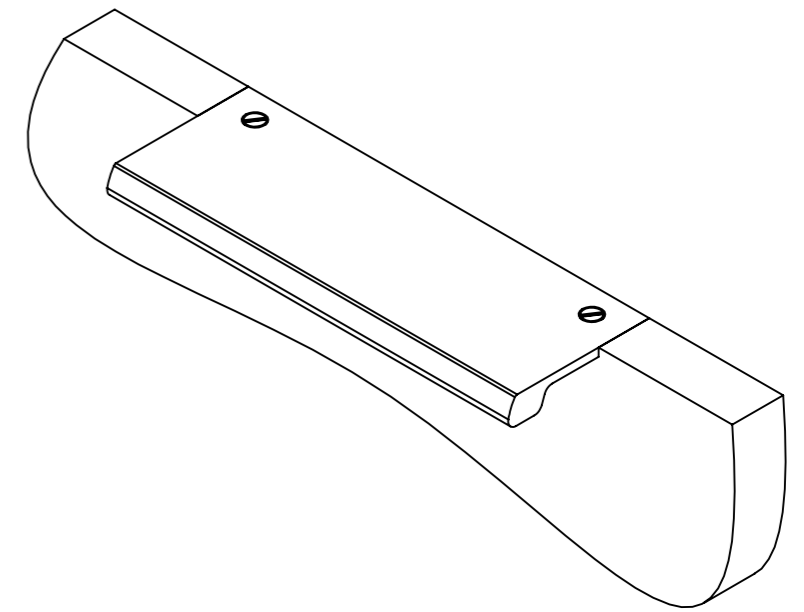


IEP-0001

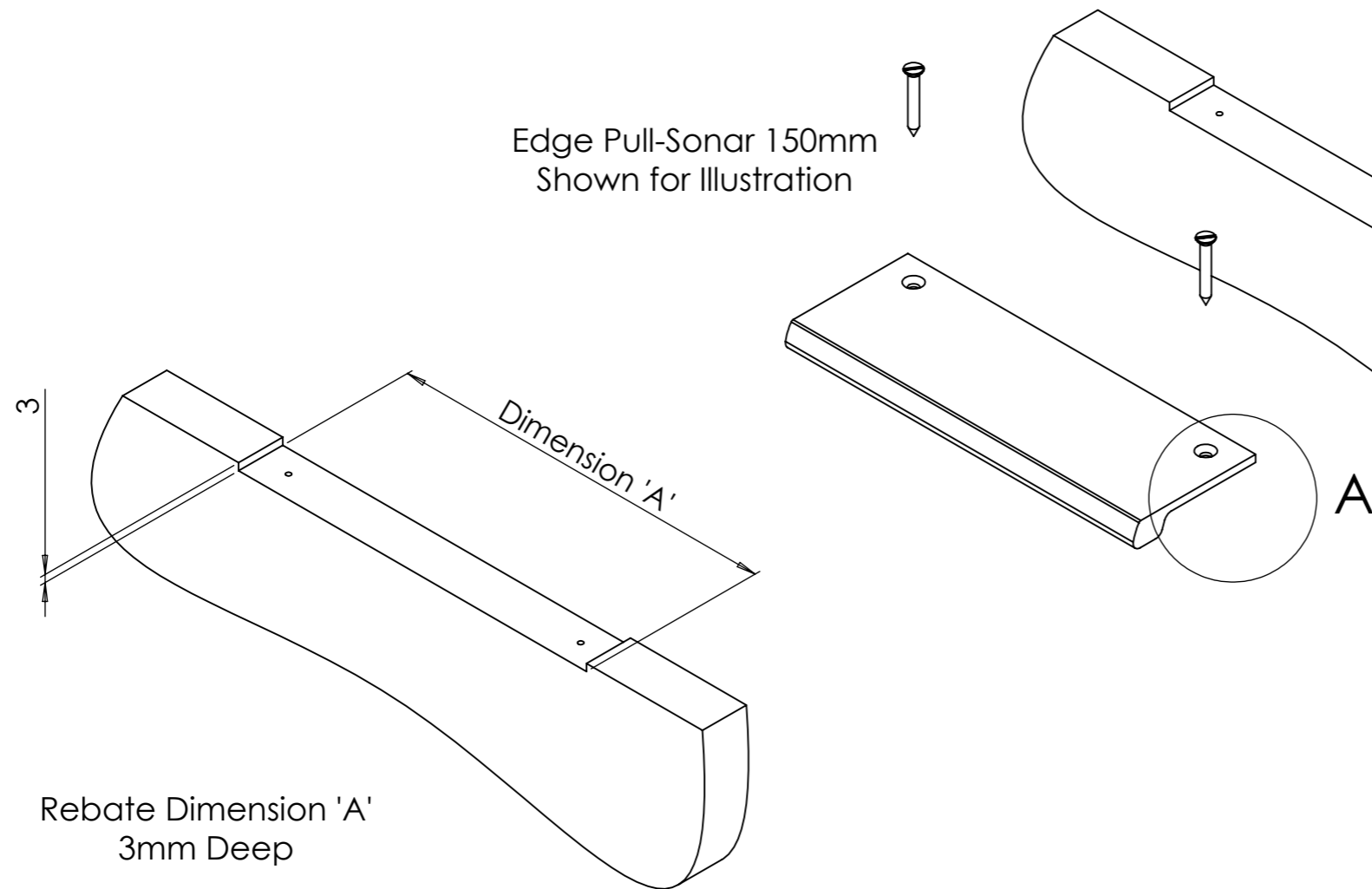
FITTING INSTRUCTION-EDGE PULL-SONAR-S1102



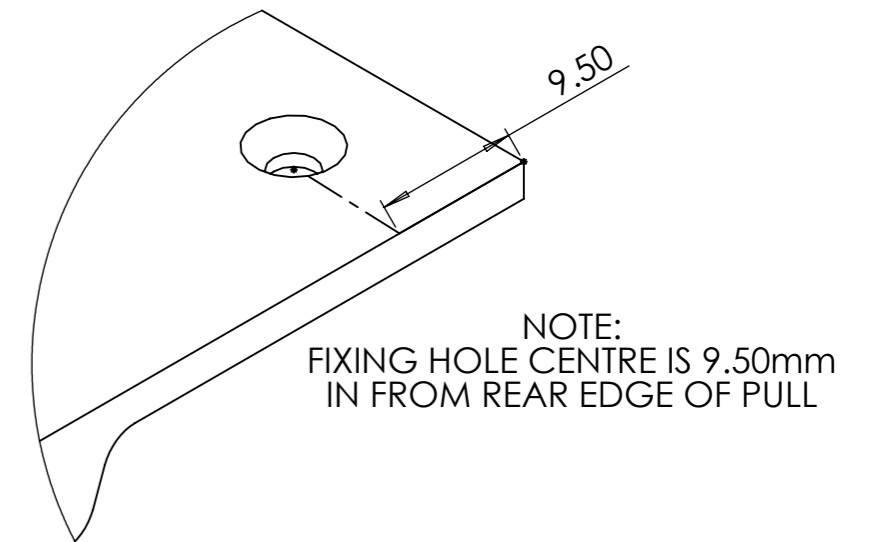
Pull Length	Dimension 'A'	Fixings
50mm	50mm	2
100mm	100mm	2
150mm	150mm	2
200mm	200mm	3
300mm	300mm	3
500mm	500mm	4



Edge Pull-Sonar 150mm
Shown for Illustration



Rebate Dimension 'A'
3mm Deep



NOTE:
FIXING HOLE CENTRE IS 9.50mm
IN FROM REAR EDGE OF PULL