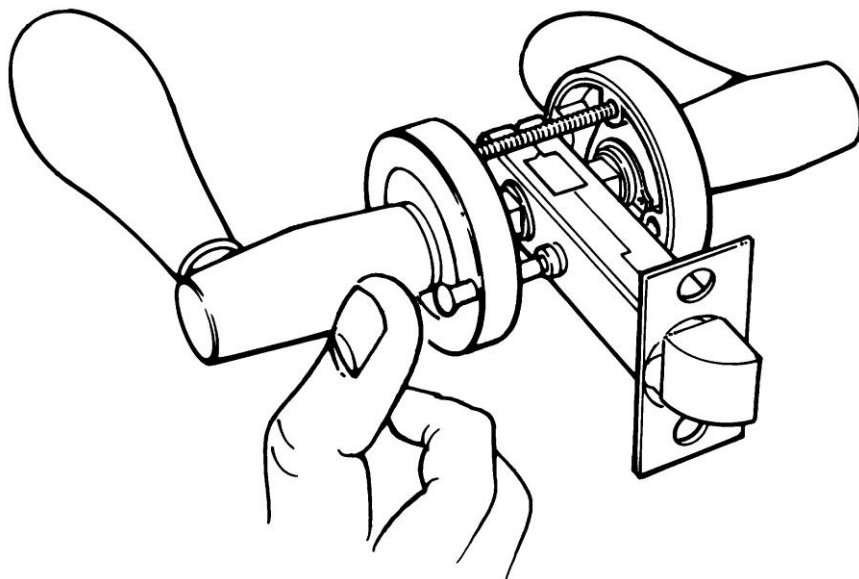


PUSH BUTTON PRIVACY LEVER HANDLES

Push button privacy sets are available for the 52mm round rose (06), 52mm square rose (07), 52mm round scalloped rose (08), 58mm round rose (13), Round pre-bore rose (20), Square pre-bore rose (19) and Rectangle back plate (51).

The set is supplied as a pair of lever handles with a tubular privacy latch (60mm or 70mm backset), dust box, strike and face plates.



OPERATION

- Push the button on the interior lever handle rose to lock the exterior lever.
- To unlock simply depress the interior lever handle.
- Emergency release function on exterior rose.

SET CONTENTS

- Pair lever handles on rose or plates with push button
- 60mm (2-3/8") or 70mm (2-3/4") backset tubular privacy latch with strike plate, dust box and face plate
- 8 x 8 x 112mm split piercing spindle
- M4 x 60mm through bolts
- For doors thicker than 44mm (1-3/4") please order privacy pin extension

