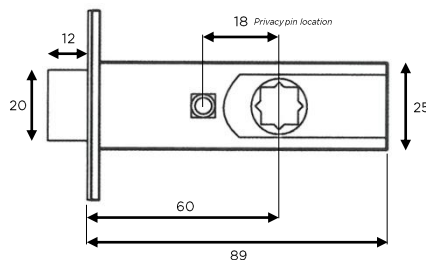
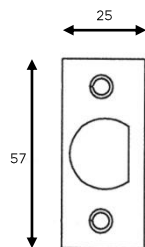
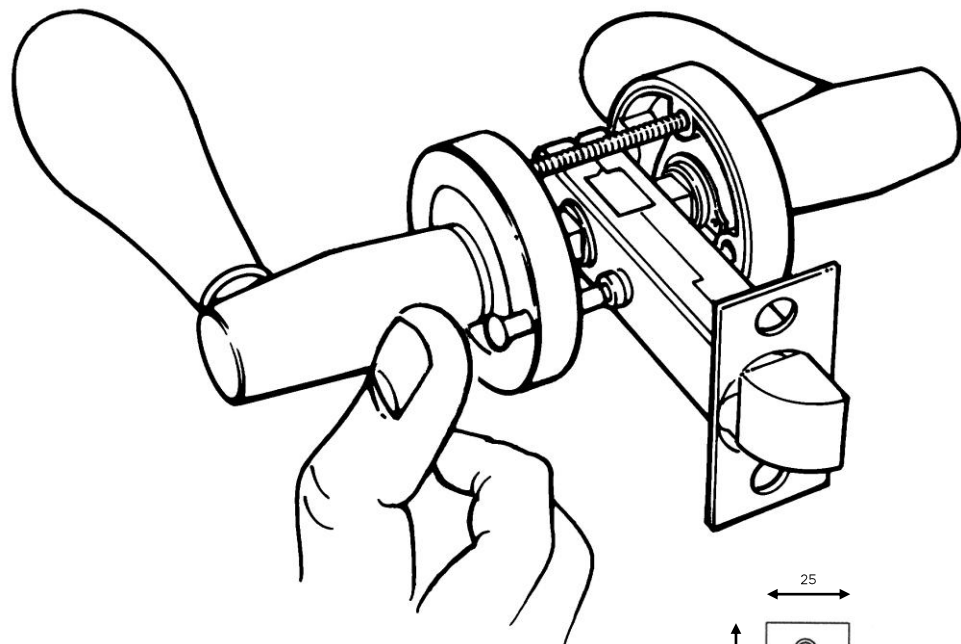




PUSH BUTTON PRIVACY LEVER HANDLES

Push button privacy sets are available for the 52mm round rose, 52mm square rose, 52mm round scallop rose, US pre-bore rose, Rectangle back plate and Rounded back plate options.

The set is supplied complete as a pair of lever handles with a 60mm (2-3/8") backset tubular latch with strike and face plates.



SET CONTENTS

- Pair lever handles on rose or plates with push button
- 60mm (2-3/8") backset tubular privacy latch with strike plate, dust box and face plate
- 8 x 8 x 115mm split spindle
- M4 x 60mm through bolts

OPERATION

- Push the button on the interior lever handle rose to lock the exterior lever.
- To unlock simply depress the interior lever handle.
- Emergency release function on exterior rose.