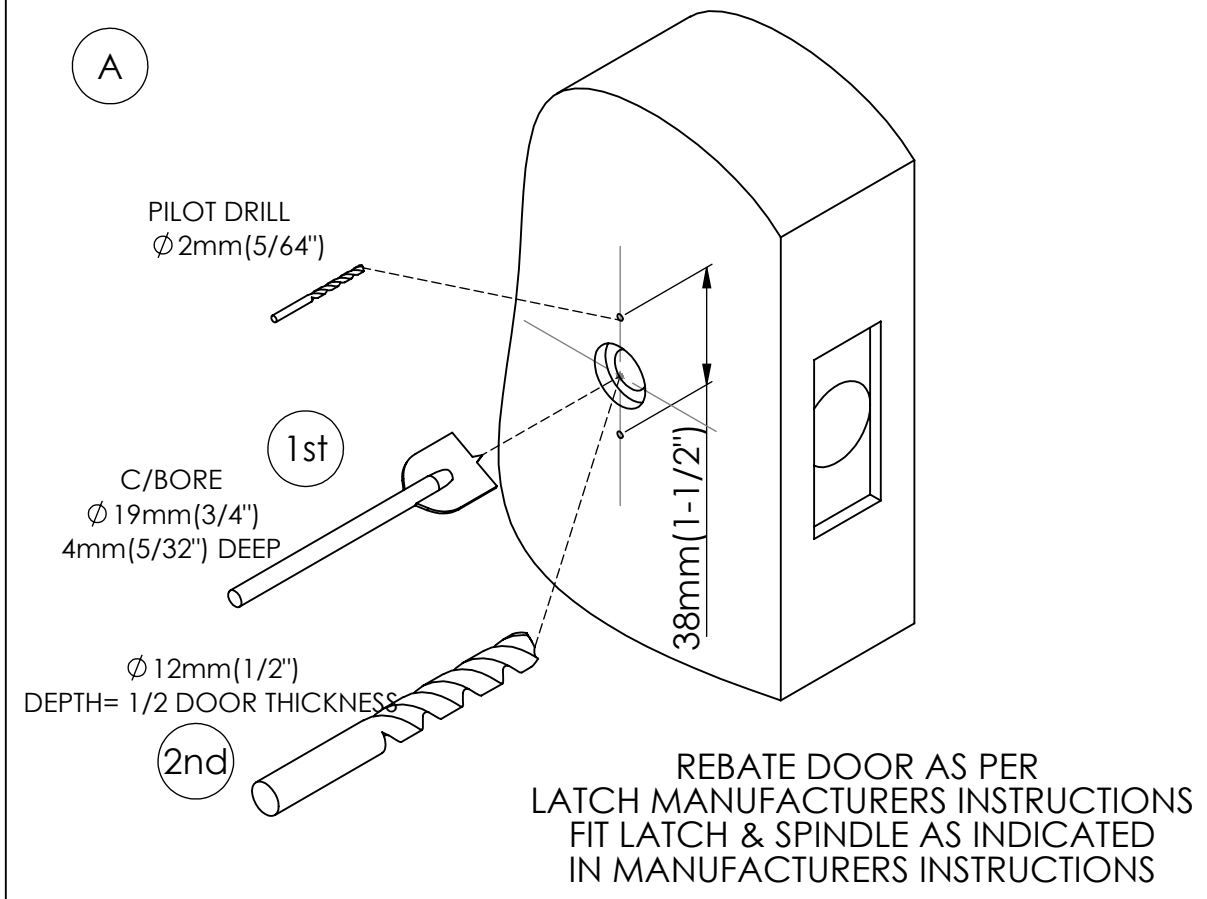


# IRO-002-CLASSIC ROSE-FITTING INSTRUCTIONS

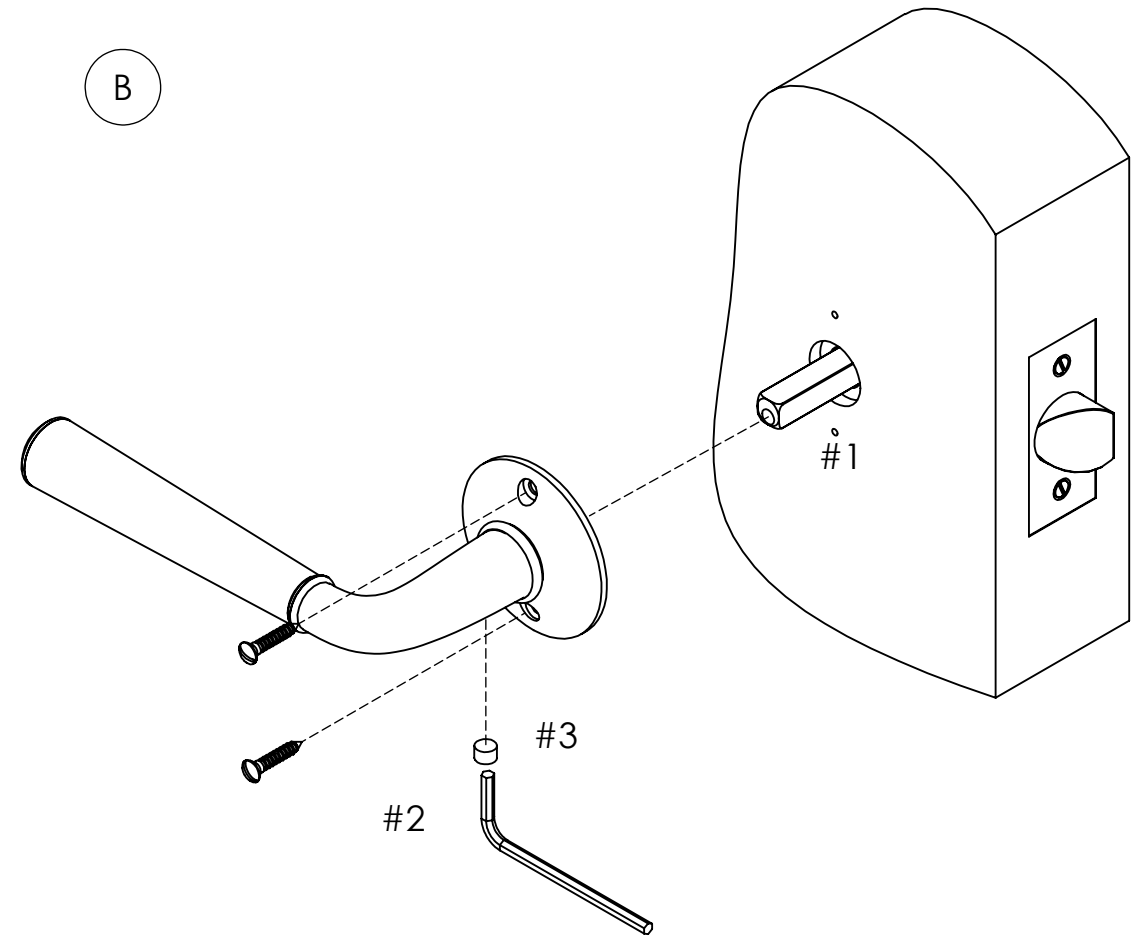
## TUBULAR LATCH



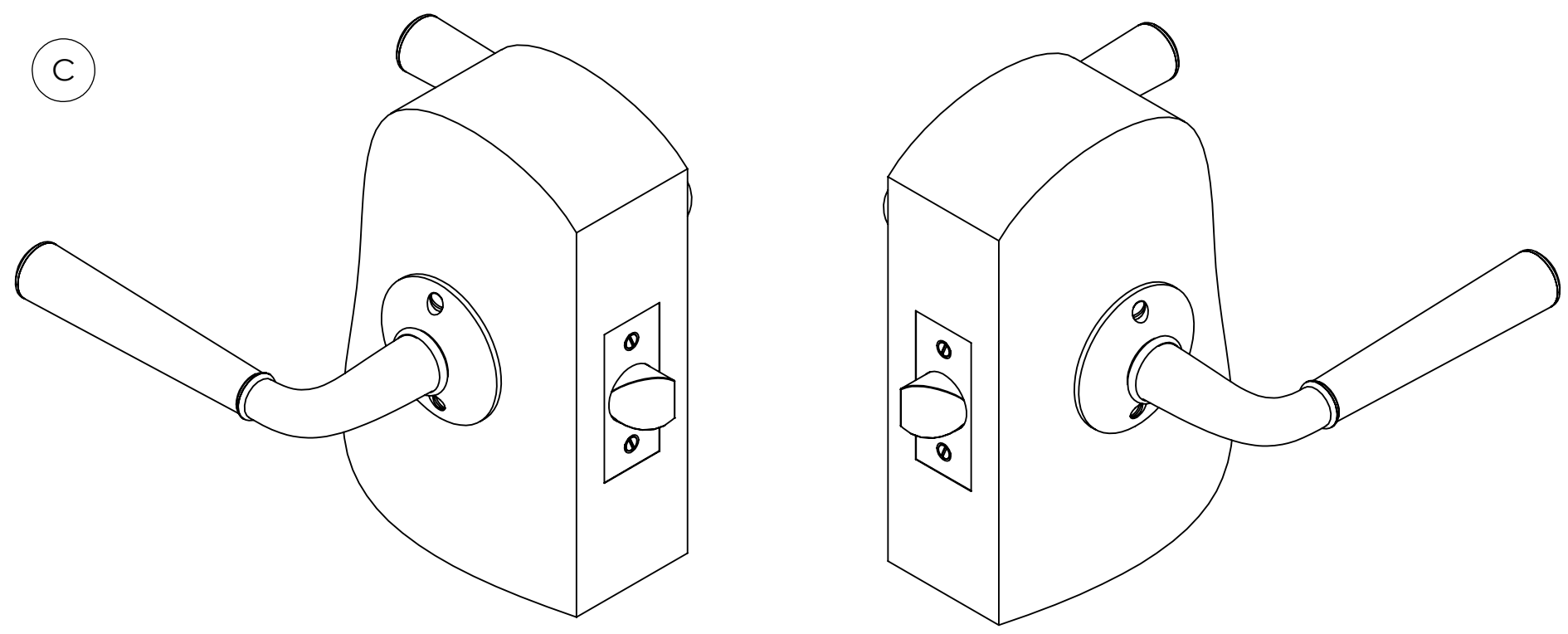
A



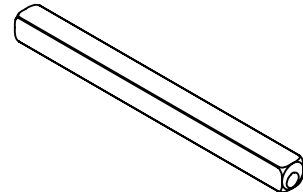


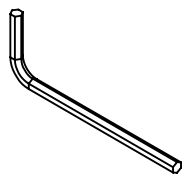
B



C



### KIT

- #1  SPINDLE
- #2  FIXING SCREWS  
No 6 X 3/4" SLT/OVAL
- #3  GRUB SCREW  
M6 X 1.0 X 6
-  ALLEN KEY