

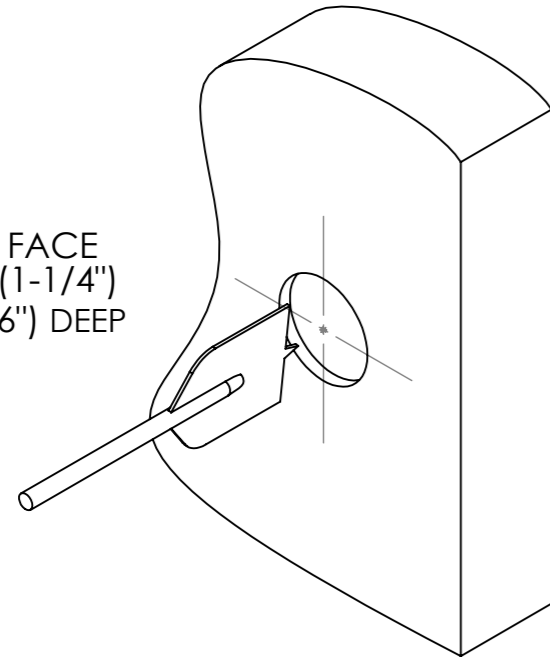
IRO-001-CLASSIC ROSE-FITTING INSTRUCTIONS

FIXED DEAD-SINGLE-PAIR

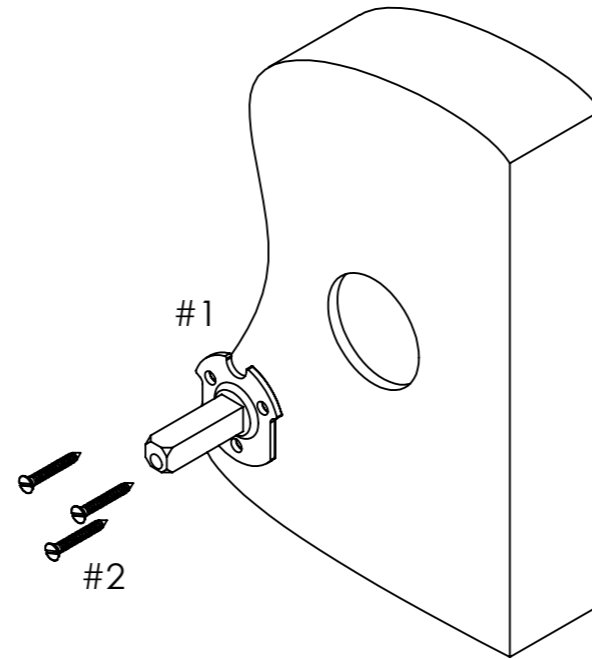


A

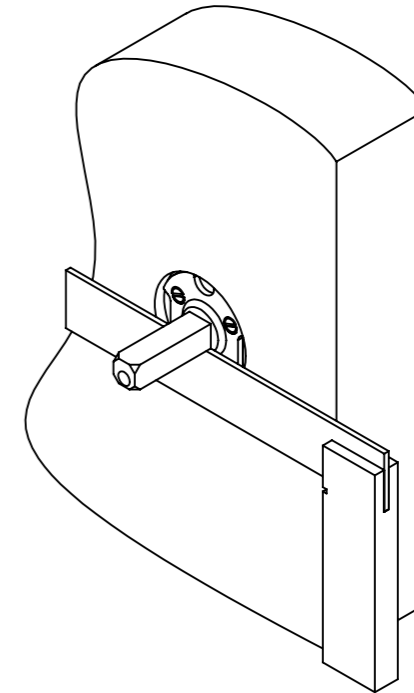
C/BORE FACE
Ø32mm (1-1/4")
8mm (5/16") DEEP



B

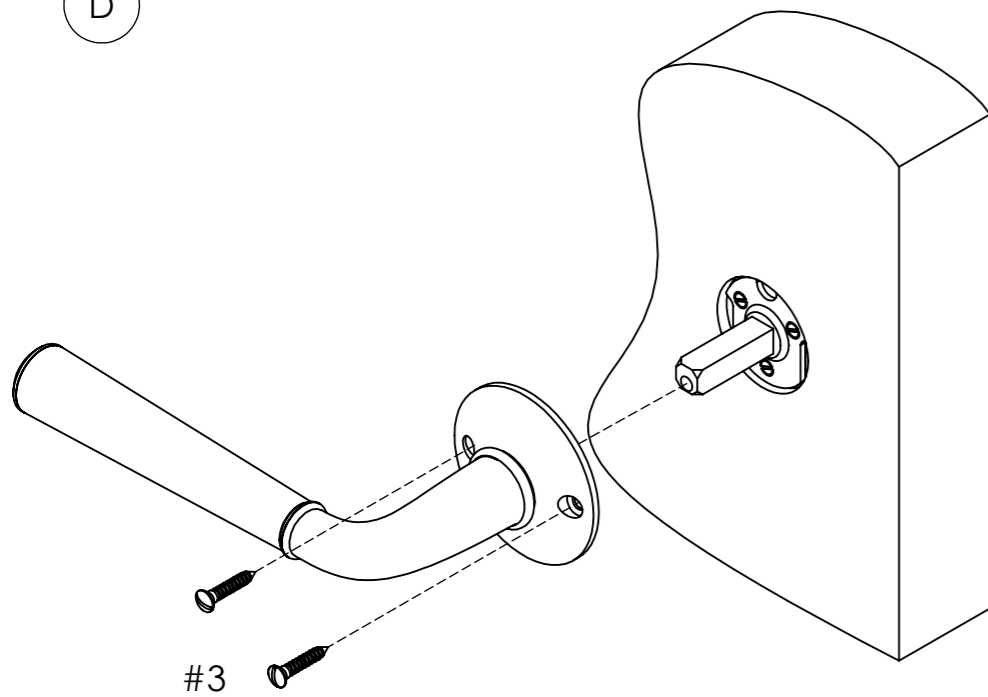


C

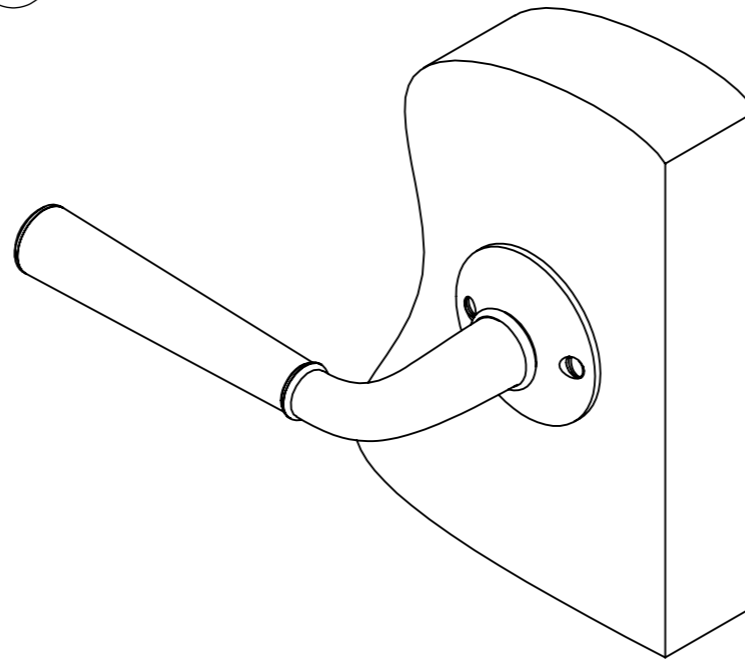


ENSURE THAT DUMMY SPINDLE
IS AT 90° TO DOOR EDGE

D

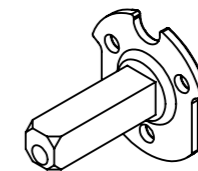


E



KIT

#1



DUMMY SPINDLE

#2



No 6 X 1 1/4" POZ C/SK

FIXING SCREWS

#3



No 6 X 3/4" SLT/OVAL