

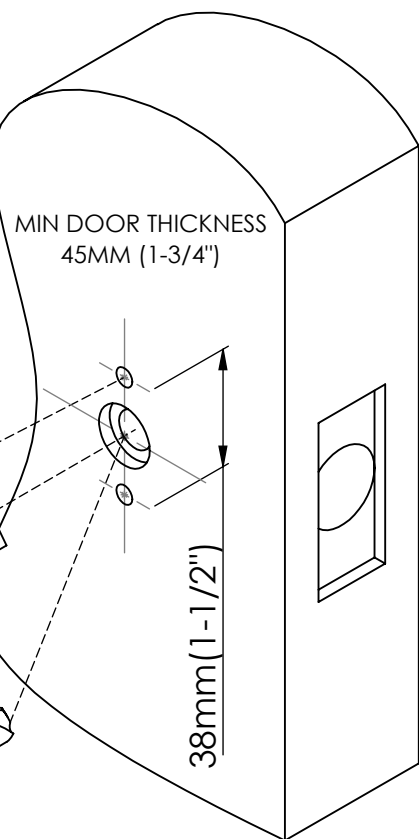
IMDK-005-DOOR KNOB-STACKED & LAYER -FITTING INSTRUCTIONS

TUBULAR LATCH



A

ENSURE THAT THE LATCH IS FITTED IN ACCORDANCE WITH THE MANUFACTURERS INSTRUCTIONS



$\phi 6.0(1/4")$
DEPTH= 1/2 DOOR THICKNESS

3rd

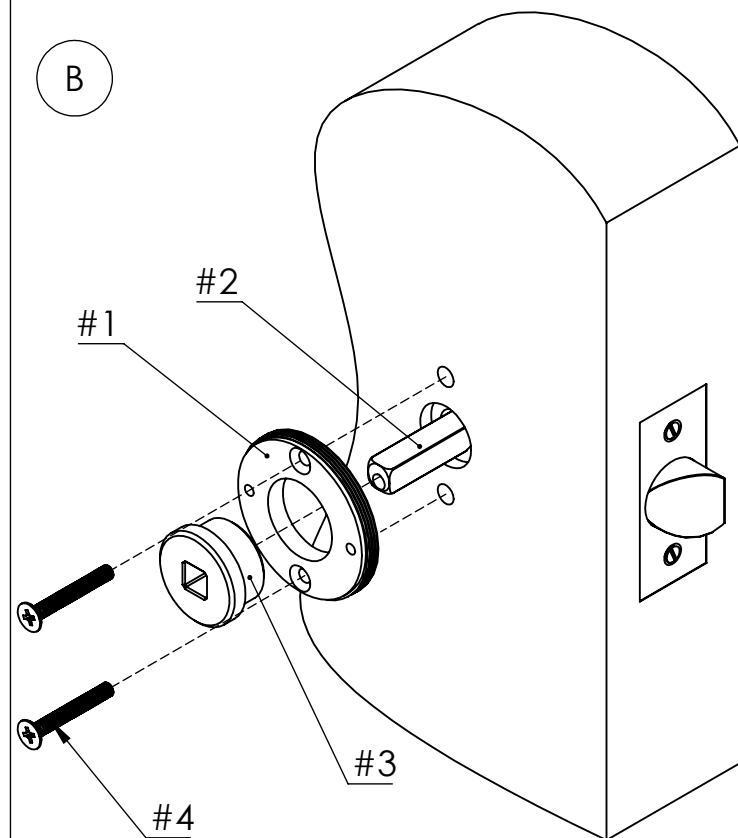
1st

C/BORE
 $\phi 19\text{MM}(3/4")$
4MM(5/32") DEEP

2nd

$\phi 12.0\text{mm}(1/2")$
DEPTH= 1/2 DOOR THICKNESS

B



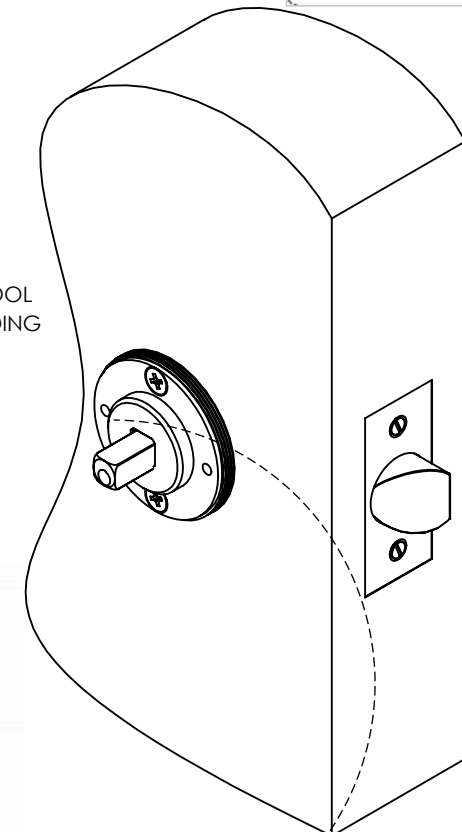
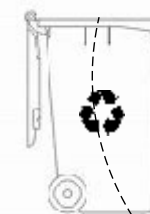
SLIDE INNER THREADED ROSE #1 OVER SPINDLE #2 GENTLY SLIDE THE CENTRING TOOL #3 ONTO THE SPINDLE, ENGAGE THE TOOL INTO THE INNER ROSE, PUSH UP TO DOOR FACE

FIT FIXING SCREWS #4 THROUGH INNER ROSE & DOOR, ENGAGE FIXING SCREWS IN CORRESPONDING THREADED HOLES IN OPPOSITE ROSE INNER, TIGHTEN SCREWS. NOTE DO NOT OVERTIGHTEN SCREWS

REMOVE CENTRING TOOL #3 ENSURING THAT IT SLIDES FREELY FROM THE INNER ROSE

C

ENSURE THAT THE CENTRING TOOL IS REMOVED BEFORE PROCEEDING

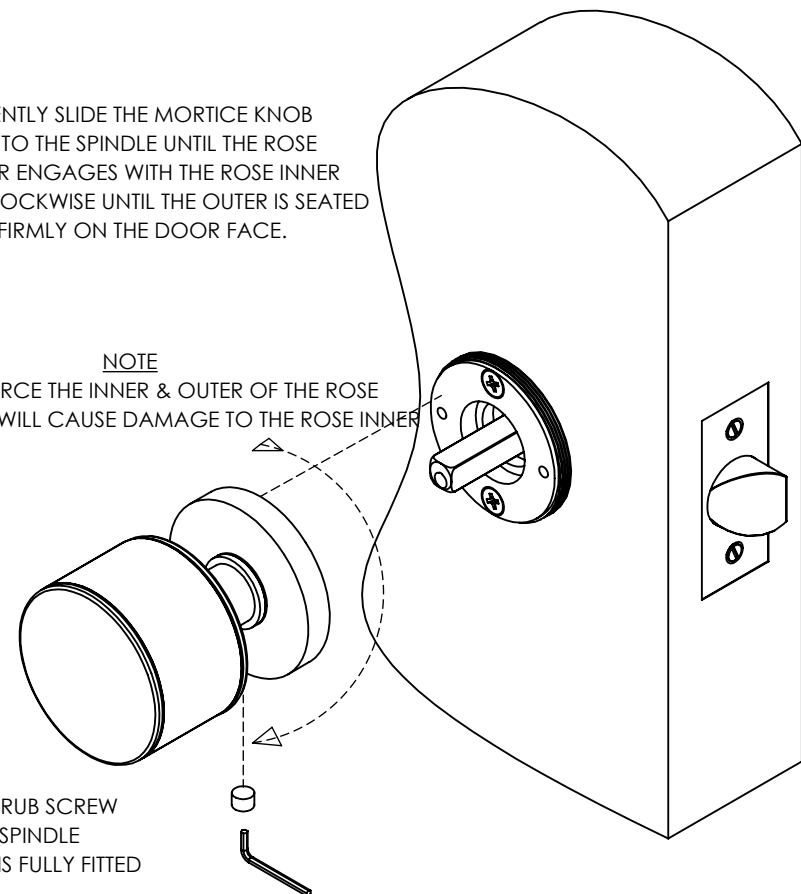


D

GENTLY SLIDE THE MORTICE KNOB ONTO THE SPINDLE UNTIL THE ROSE OUTER ENGAGES WITH THE ROSE INNER TURN CLOCKWISE UNTIL THE OUTER IS SEATED FIRMLY ON THE DOOR FACE.

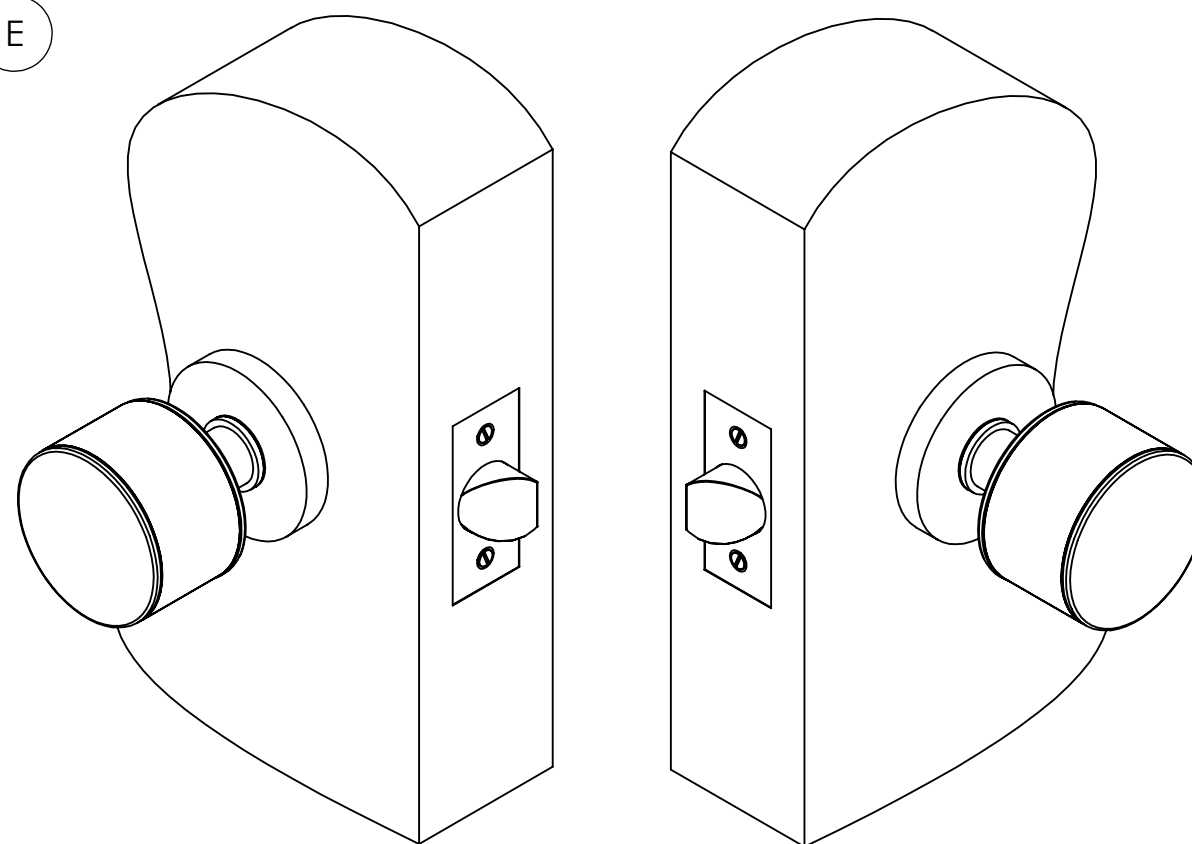
NOTE

DO NOT FORCE THE INNER & OUTER OF THE ROSE TOGETHER THIS WILL CAUSE DAMAGE TO THE ROSE INNER



TIGHTEN GRUB SCREW ONTO SPINDLE WHEN ROSE IS FULLY FITTED

E



KIT

- #1 THREADED ROSE INNER
- #2 SPINDLE
- #3 CENTRING TOOL
- #4 FIXING SCREWS
- GRUB SCREW M6 X 7
- ALLEN KEY