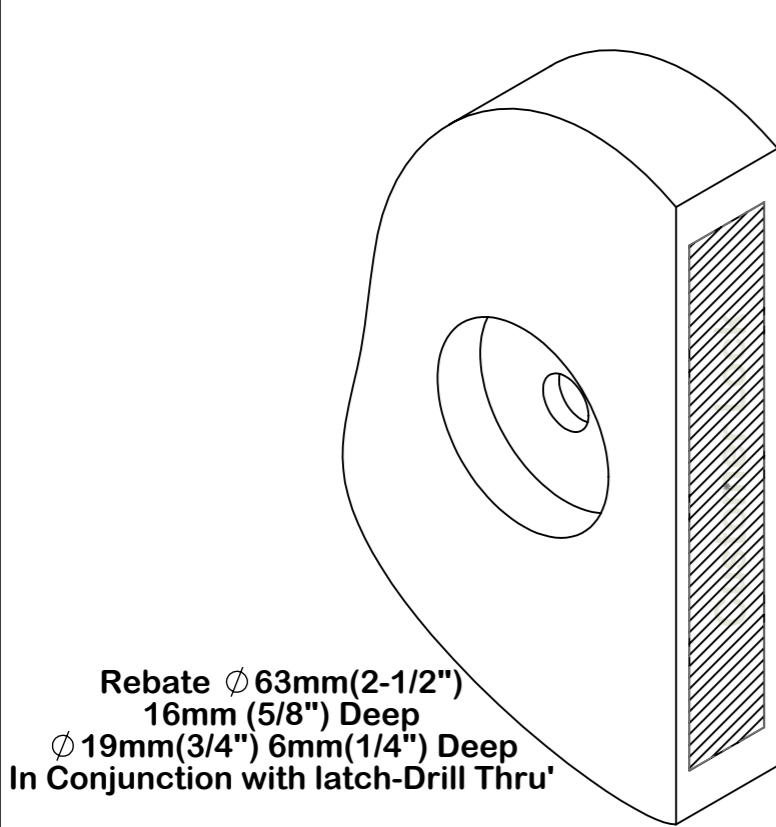
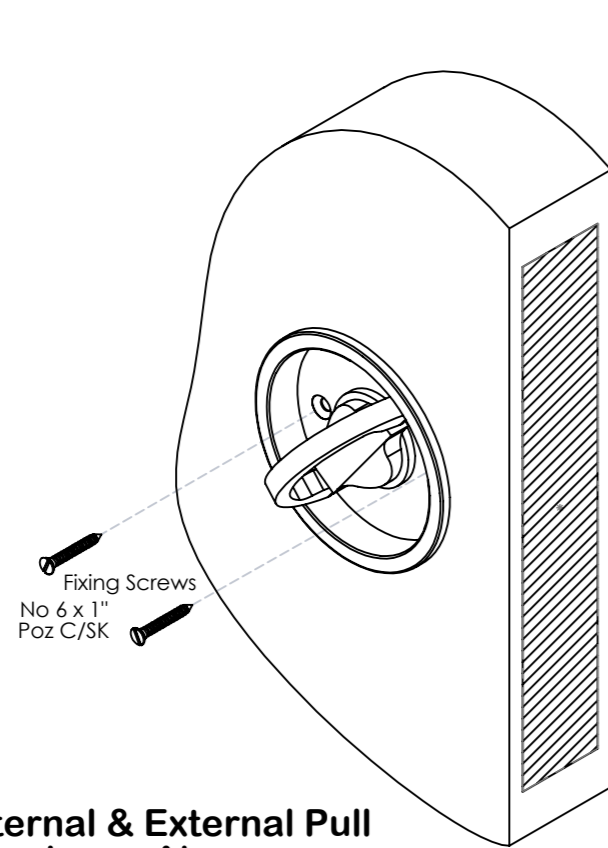
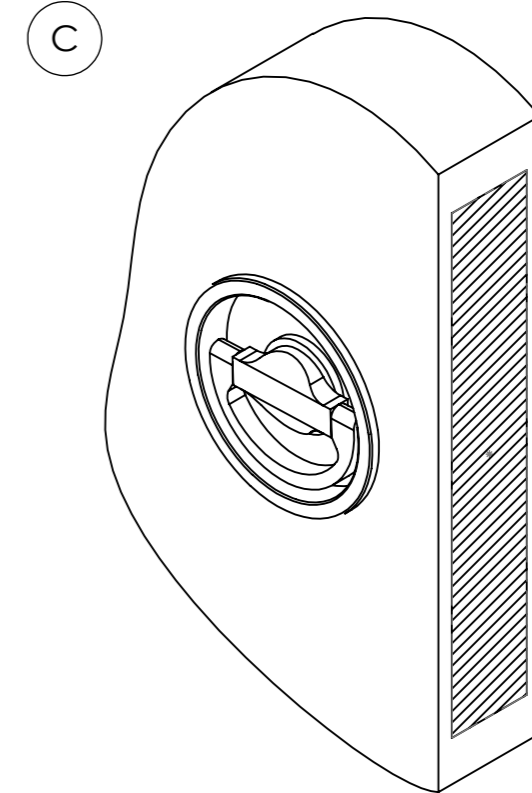
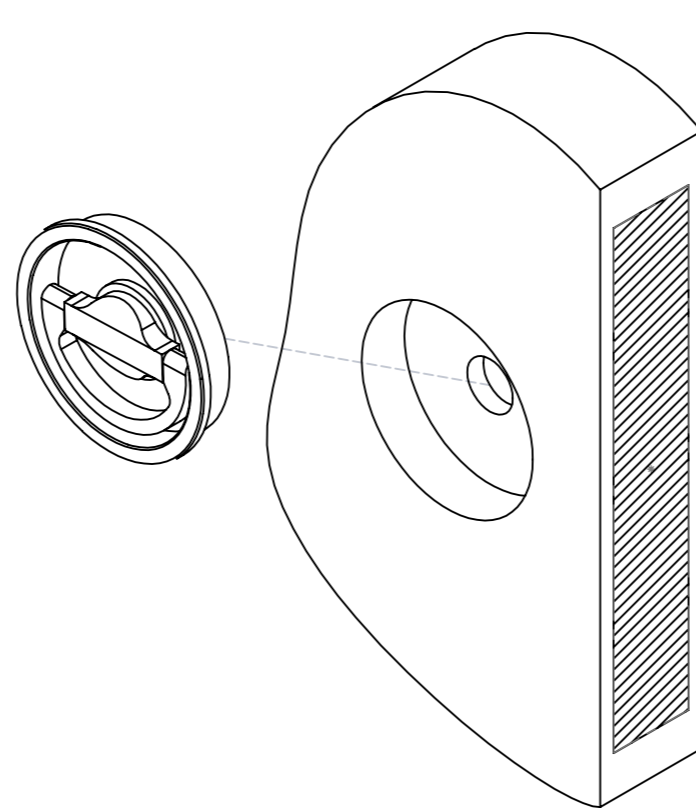


IFP-0005A

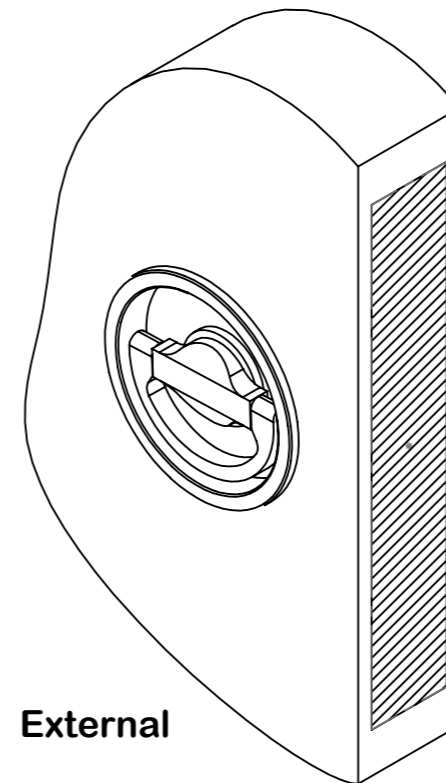
Fitting Instructions-Round Revolving Flush Pull-S1954/ C1954



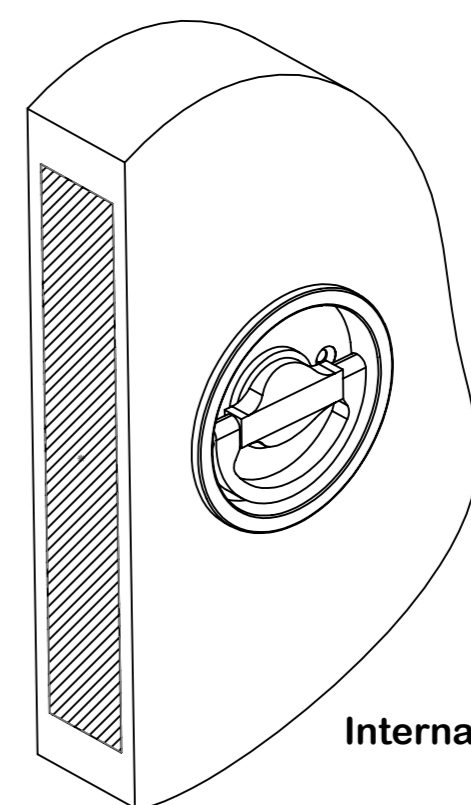
Rebate ϕ 63mm(2-1/2")
16mm (5/8") Deep
 ϕ 19mm(3/4") 6mm(1/4") Deep
In Conjunction with latch-Drill Thru'



Affix Internal & External Pull
As shown Above



External



Internal