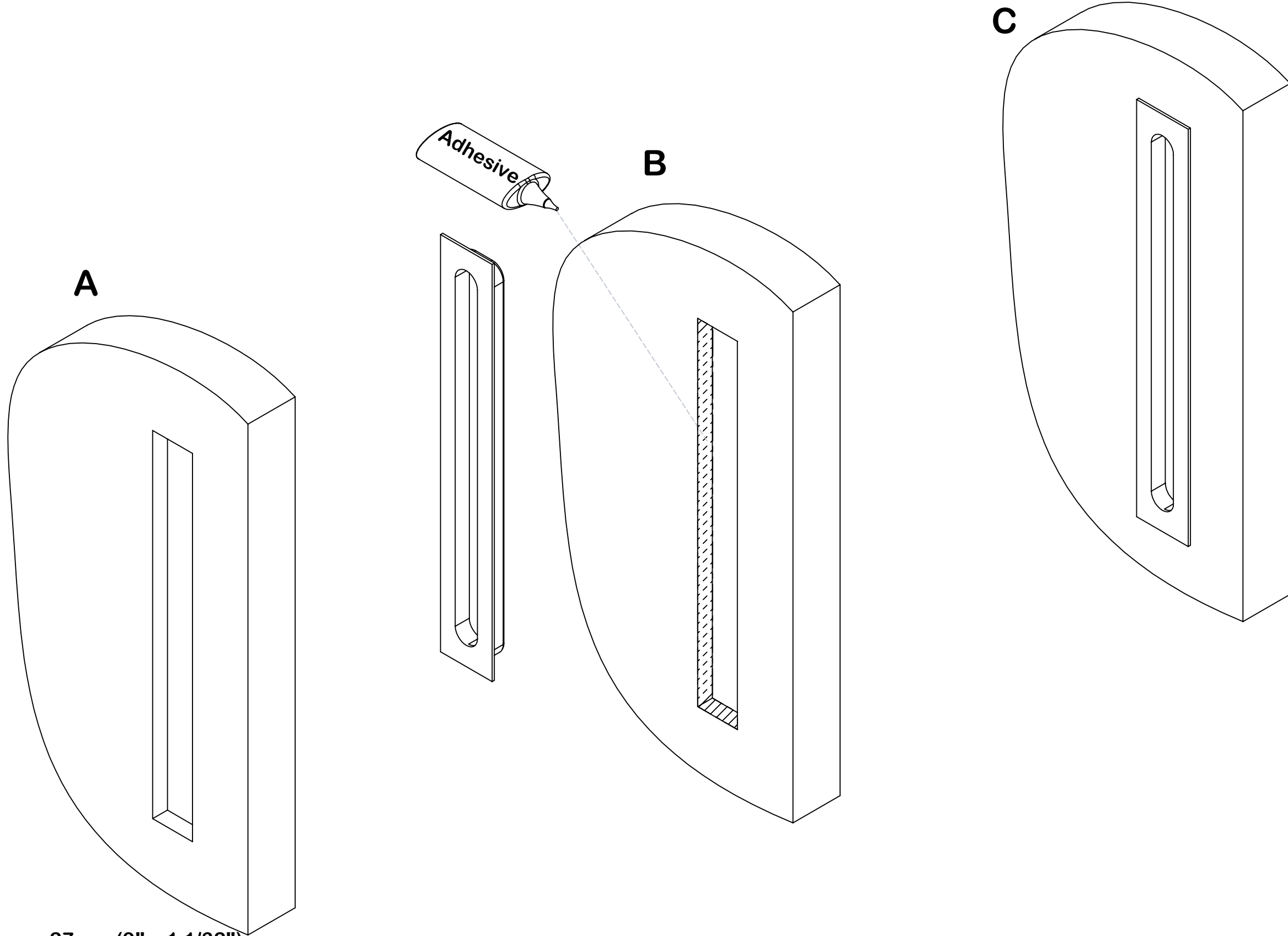


IFP-0002A

Fitting Instruction-Slim Flush Pull-C1959



**Rebate 228mm x 27mm (9" x 1 1/32")
10mm (25/64") Deep**

Use Fitting Template TFP-002A