

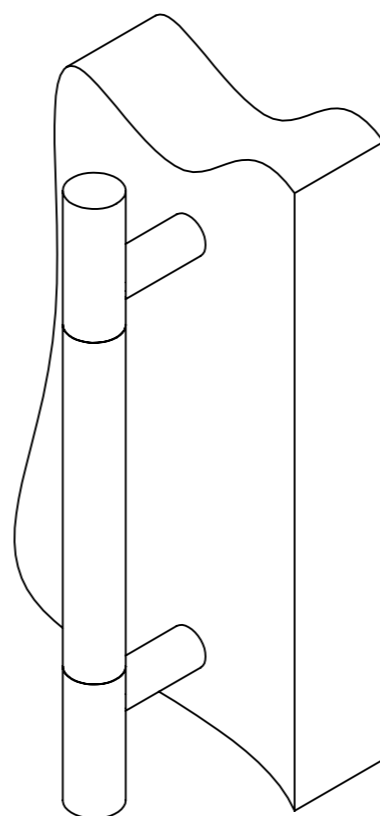
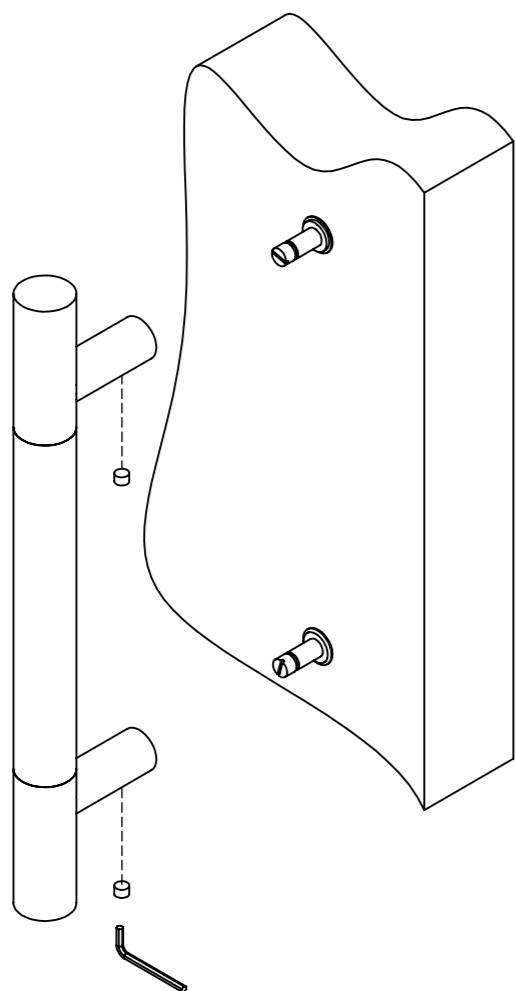
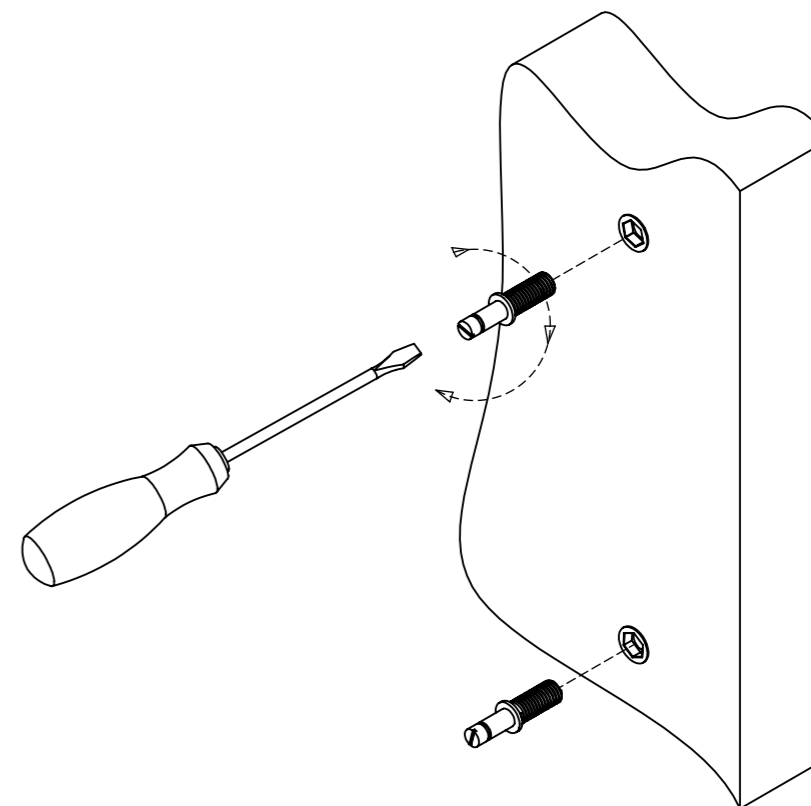
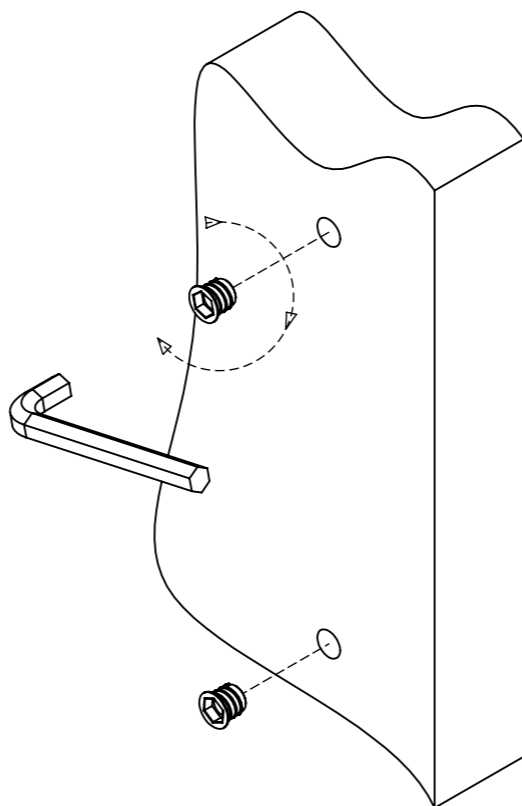
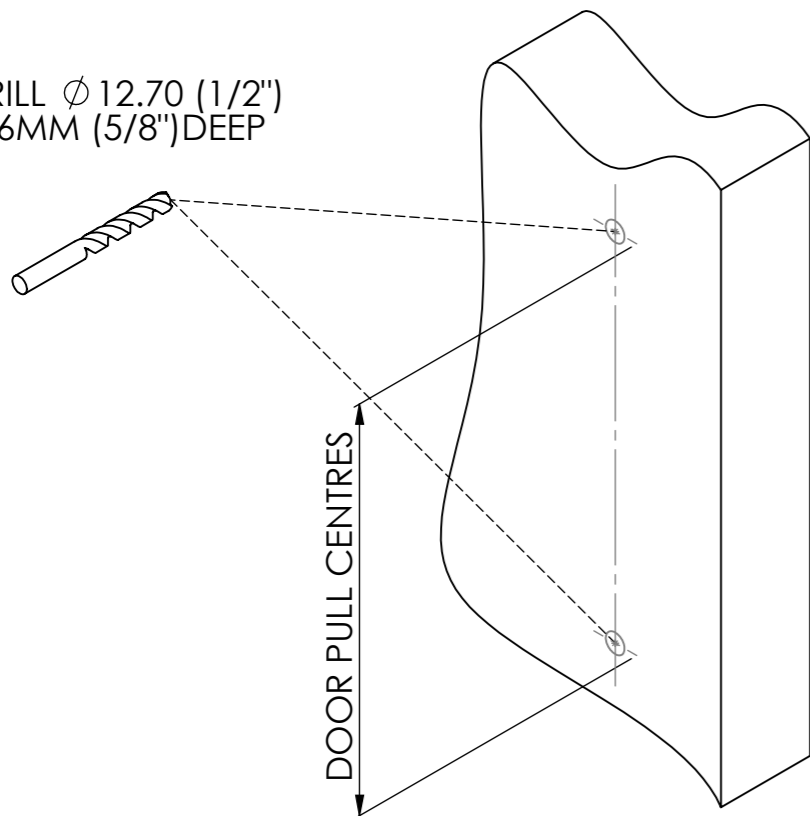
IDP-002-FITTING INSTRUCTION

DOOR PULL-FACE FIX-TIMBER



DRILL ϕ 12.70 (1/2")
16MM (5/8") DEEP

DOOR PULL CENTRES



KIT

