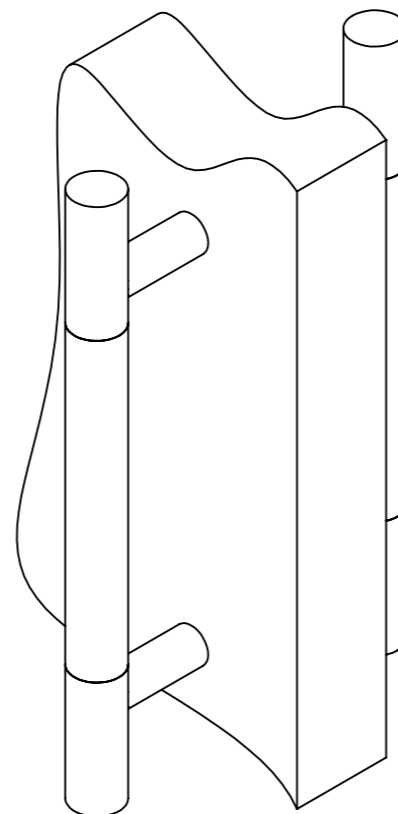
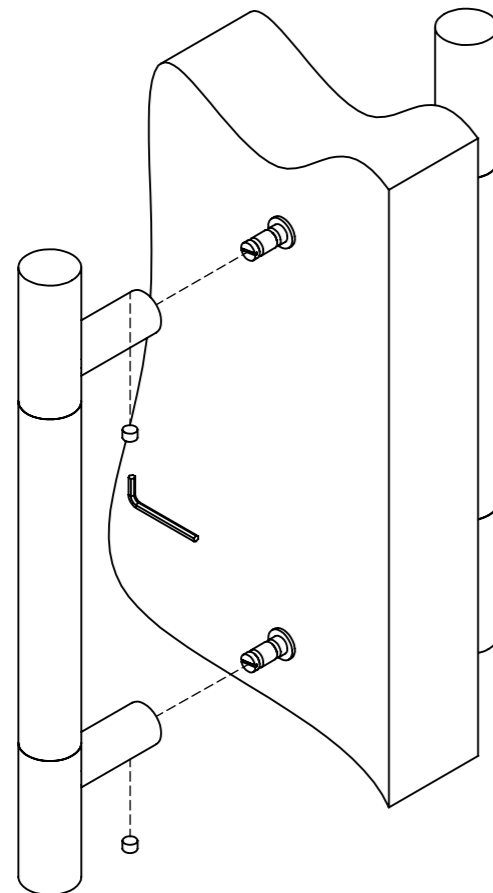
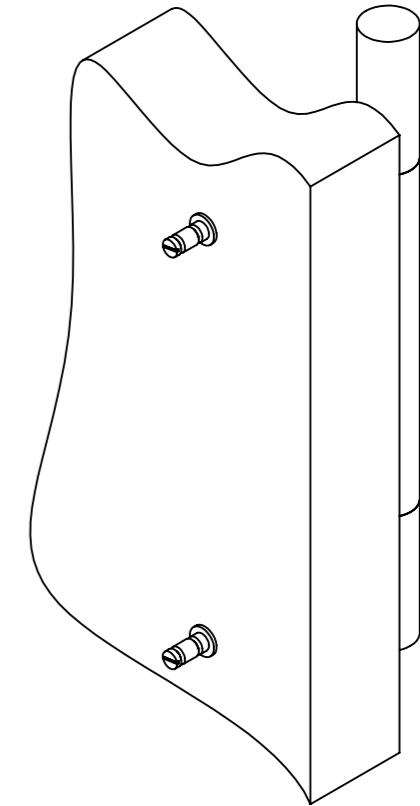
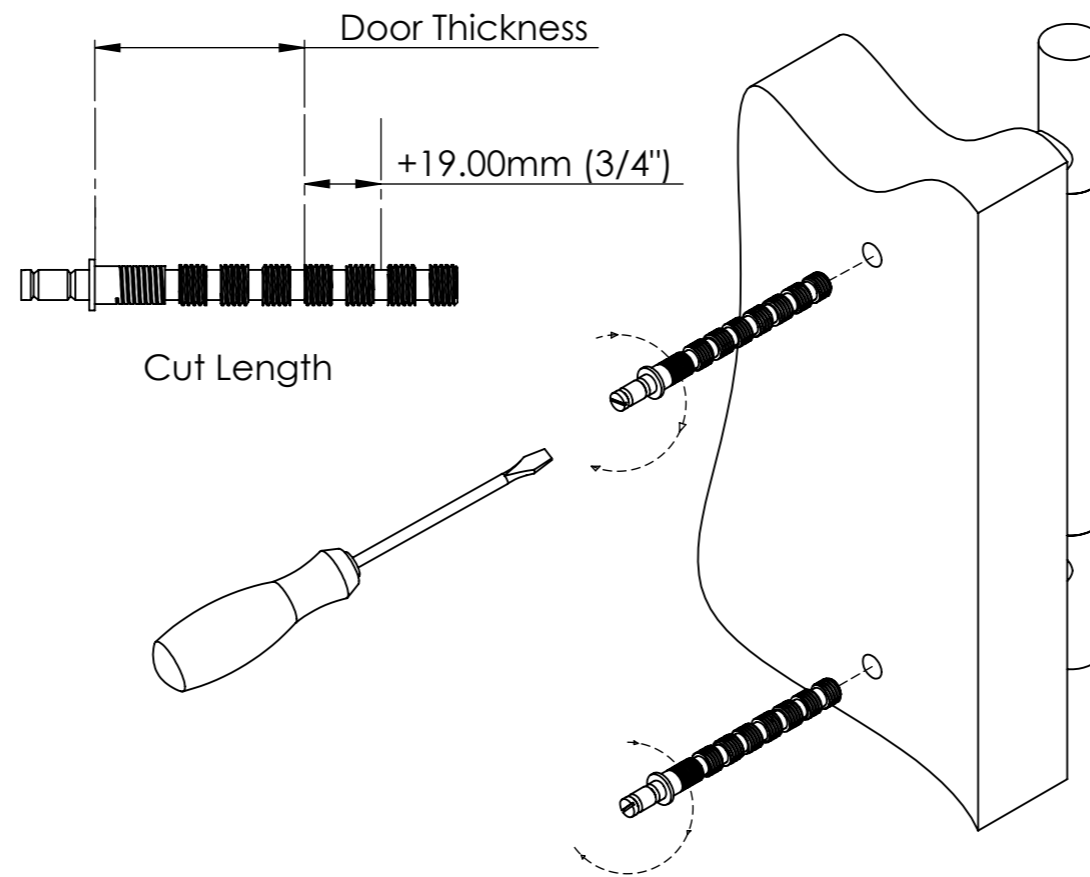
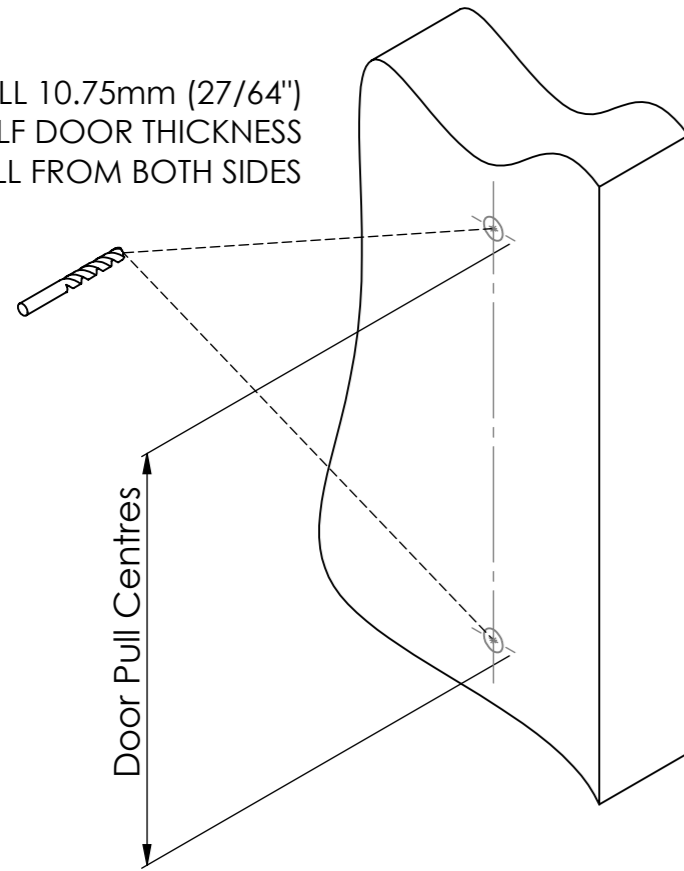


IDP-001-FITTING INSTRUCTION

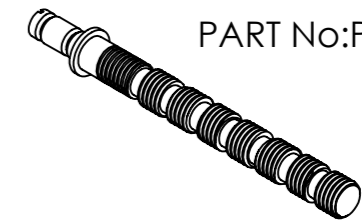
DOOR PULL-BACK TO BACK PAIR-TIMBER



DRILL 10.75mm (27/64")
HALF DOOR THICKNESS
DRILL FROM BOTH SIDES



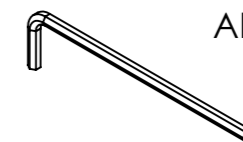
KIT



PART No: PFX-00024-N-0080



GRUB SCREW X 2



ALLEN KEY