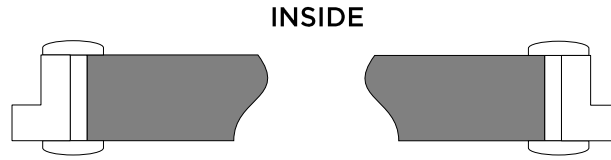
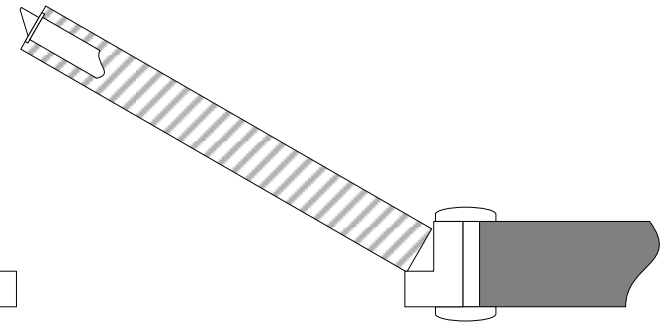


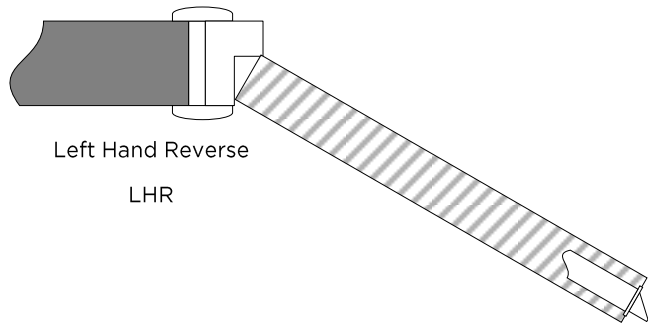
Left Hand  
LH



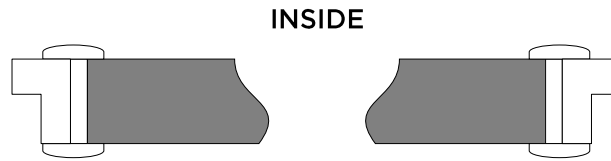
INSIDE  
OUTSIDE



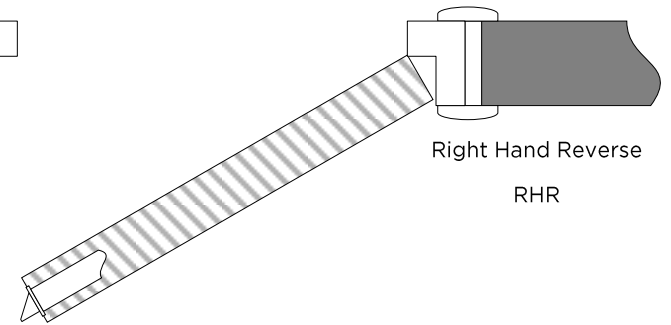
Right Hand  
RH



Left Hand Reverse  
LHR



INSIDE  
OUTSIDE



Right Hand Reverse  
RHR