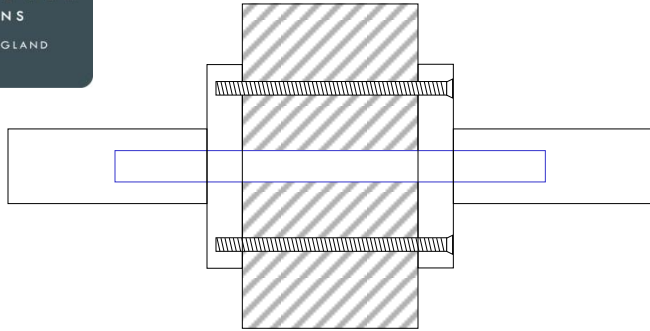


DOOR : 33 to 45mm (1-3/16" to 1-25/32")



Standard kit : KDL-000-000ALL-P-3345D-52R-000

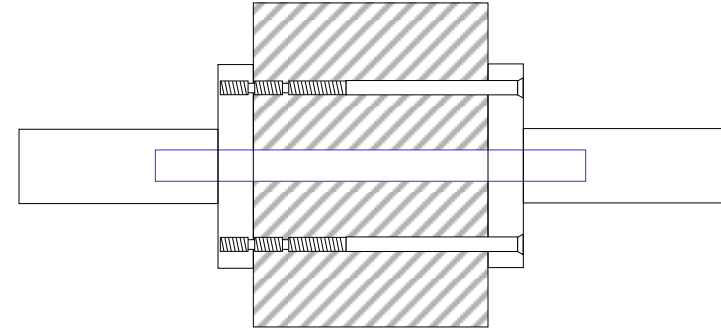
8 x 8 x 110mm piercing spindle

2 of M4 x 60mm through bolt

4 of #4 x 3/4" wood screws



DOOR : 46 to 65mm (1-13/16" to 2-9/16")



Order kit number : KDL-000-000ALL-P-4665D-52R-000

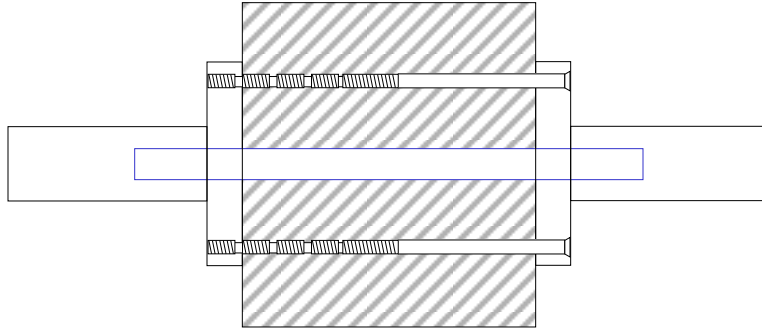
8 x 8 x 110mm piercing spindle

2 of M4 x 100mm cut off through bolt

4 of #4 x 3/4" wood screws



DOOR : 66 to 80mm (2-9/16" to 3-3/16")



Order kit number : KDL-000-000ALL-P-6680D-52R-000

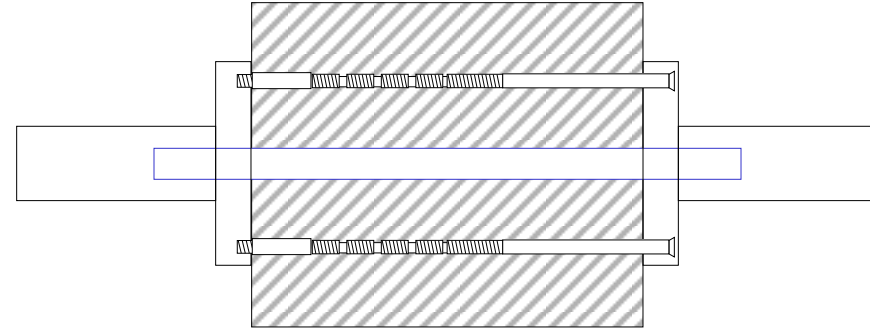
1 of 8 x 8 x 127mm piercing spindle

2 of M4 x 100mm cut off through bolt

4 of #4 x 3/4" wood screws



DOOR : 81 to 100mm (3-3/16" to 3-15/16")



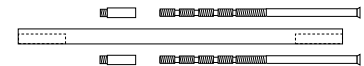
Order kit number : KDL-000-000ALL-P-8199D-52R-000

1 of 8 x 8 x 160mm piercing spindle

2 of M4 x 100mm cut off through bolt

2 of M4 x 8mm set screw with 5mm OD x 30mm long sleeves

4 of #4 x 3/4" wood screws



* Mortice case strike plates – doors of 50mm or more may require custom strike plates. Slim fit latches are designed for use on 32mm maximum door thickness.